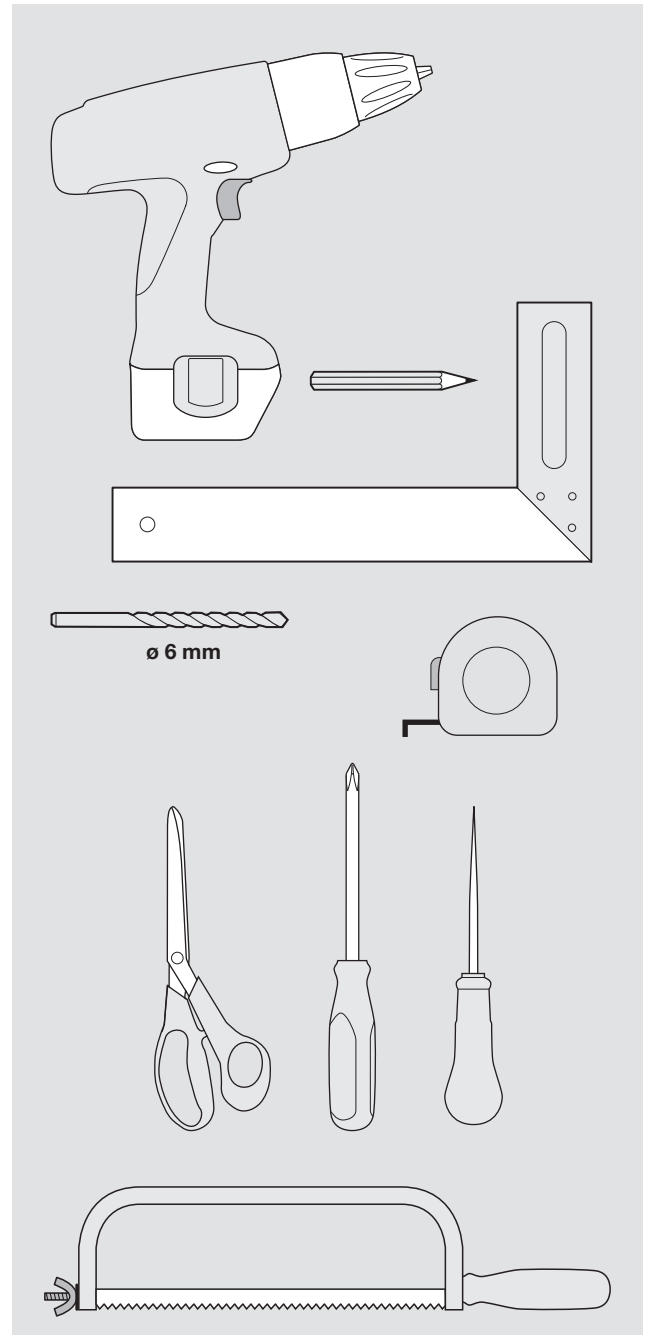
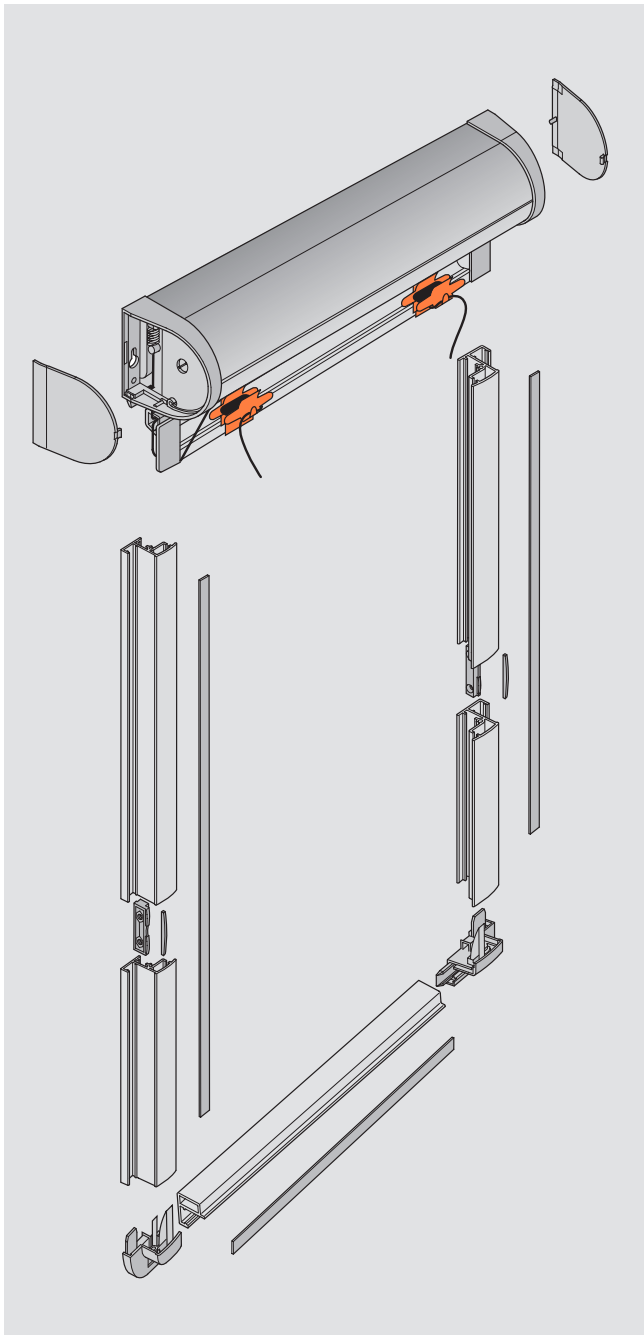
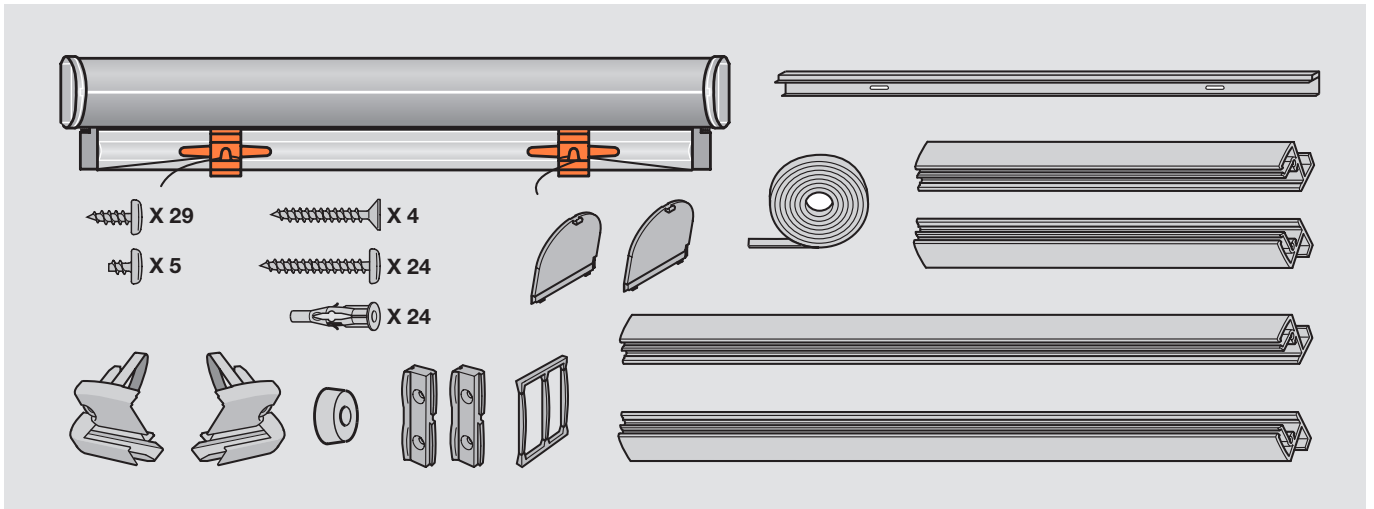
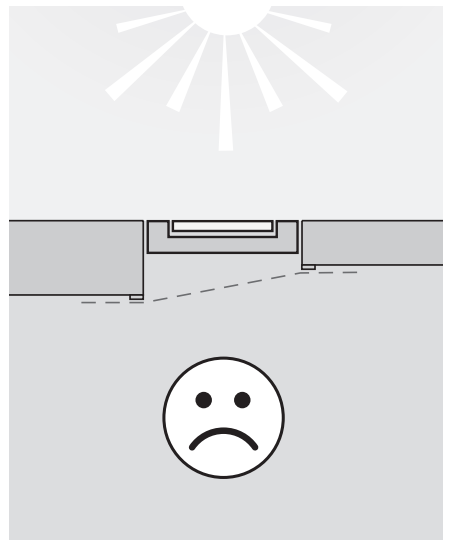
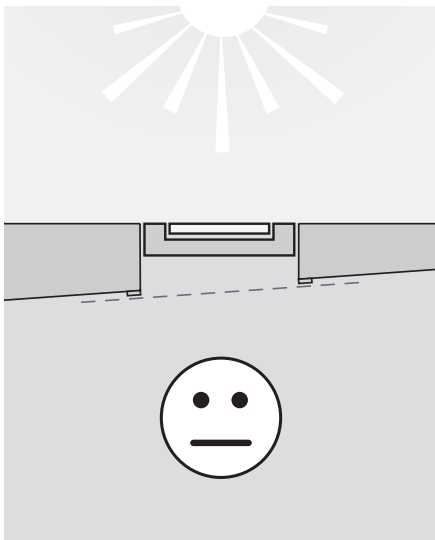
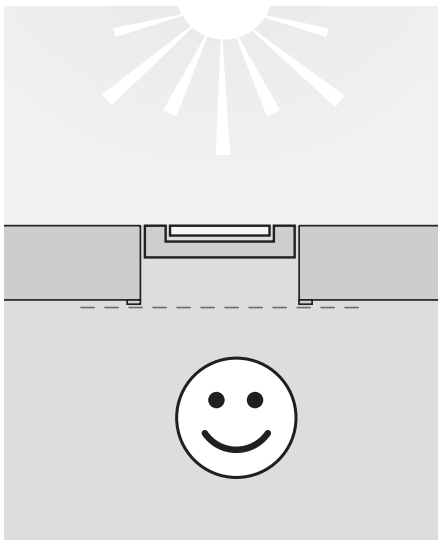
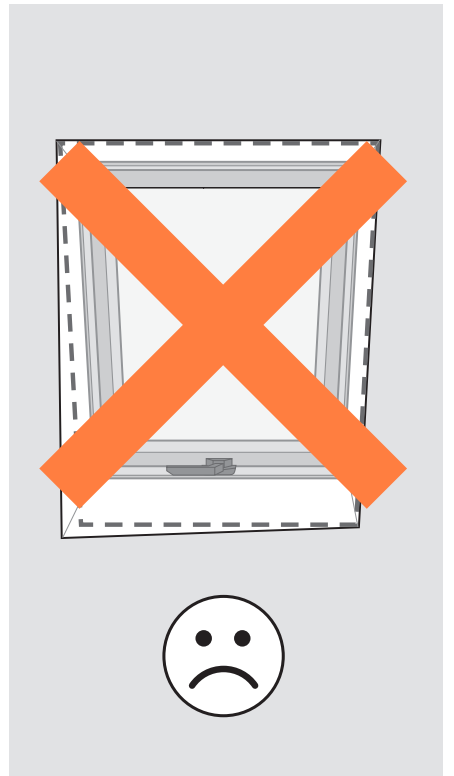
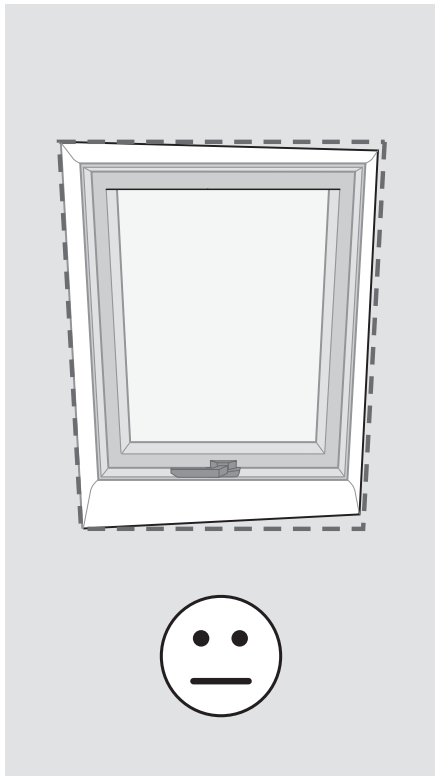
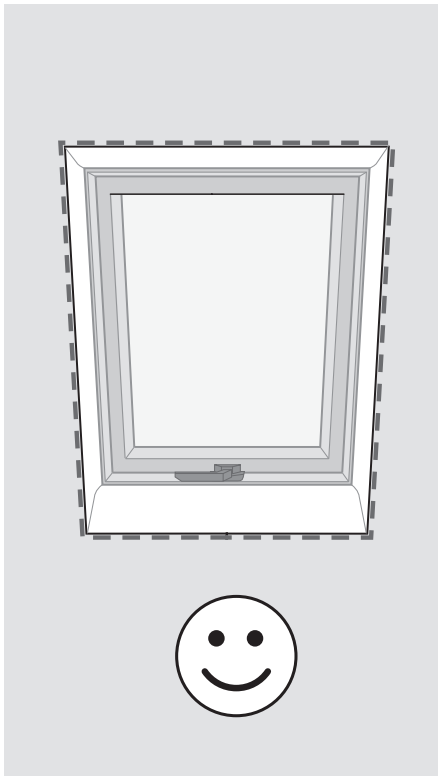
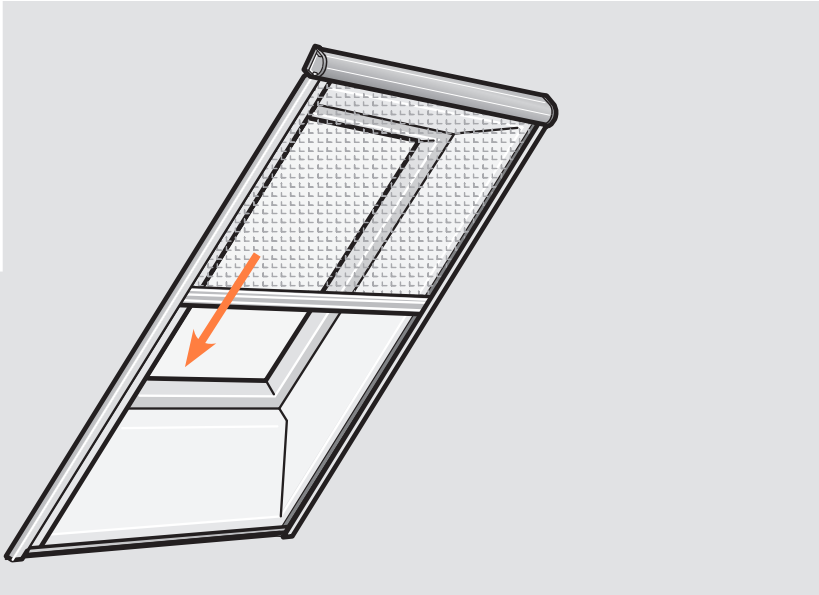
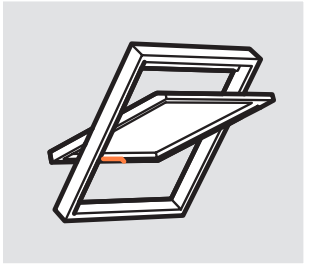


**ZIA**

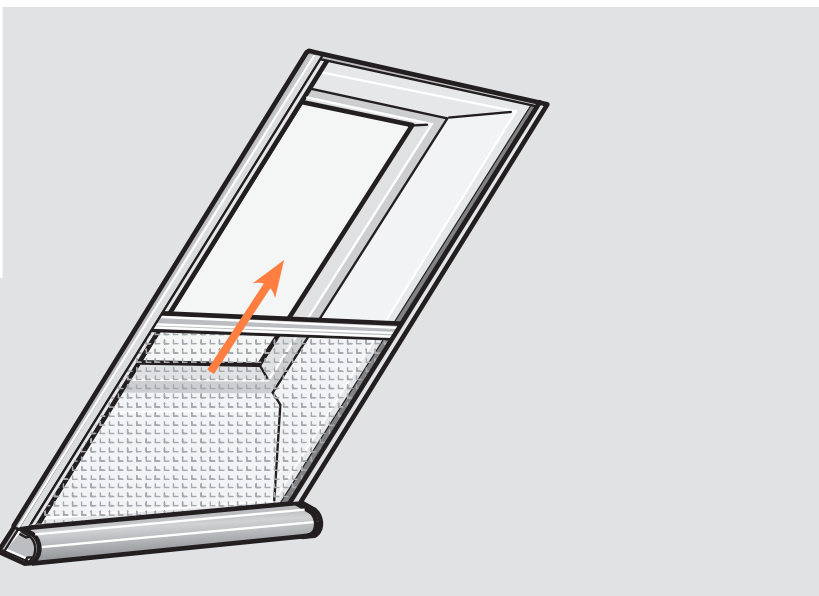




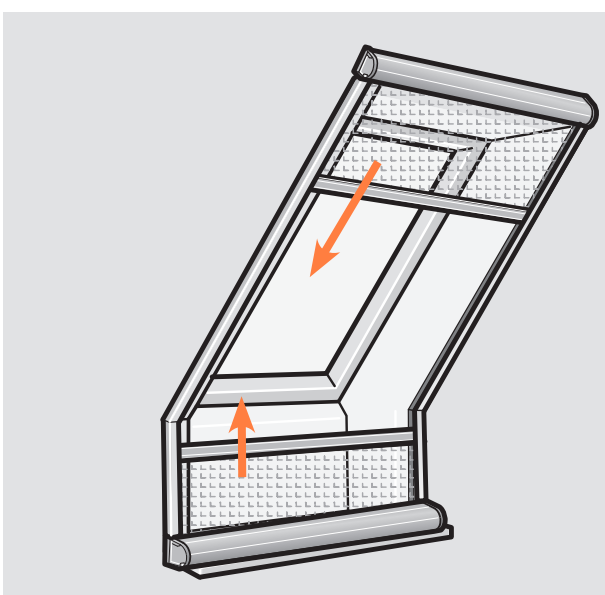




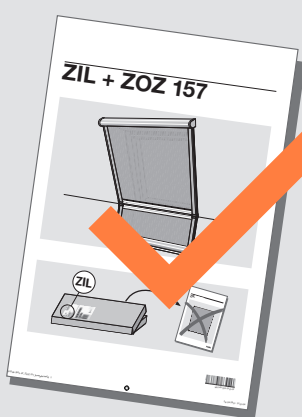
Pages  
6 - 14



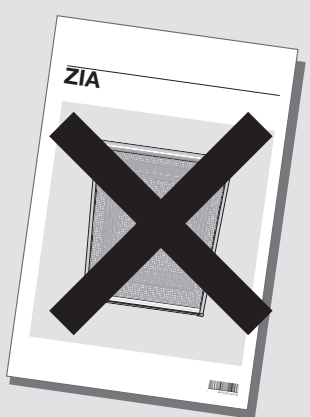
Pages  
16 - 24



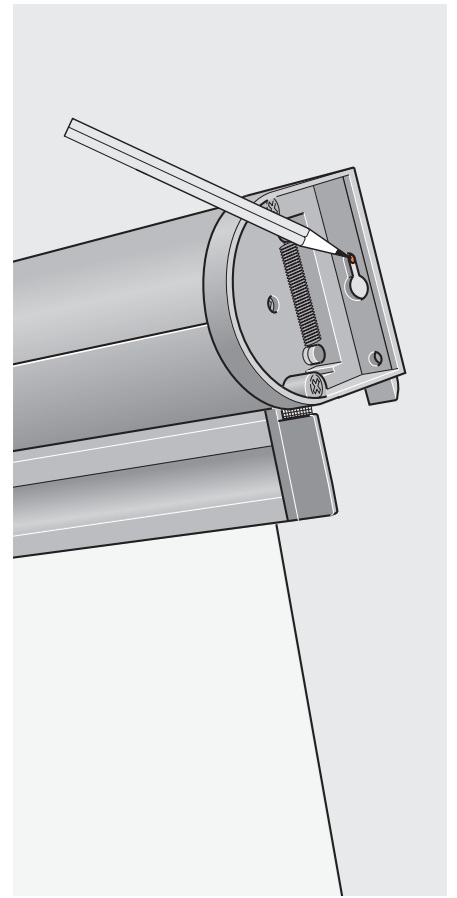
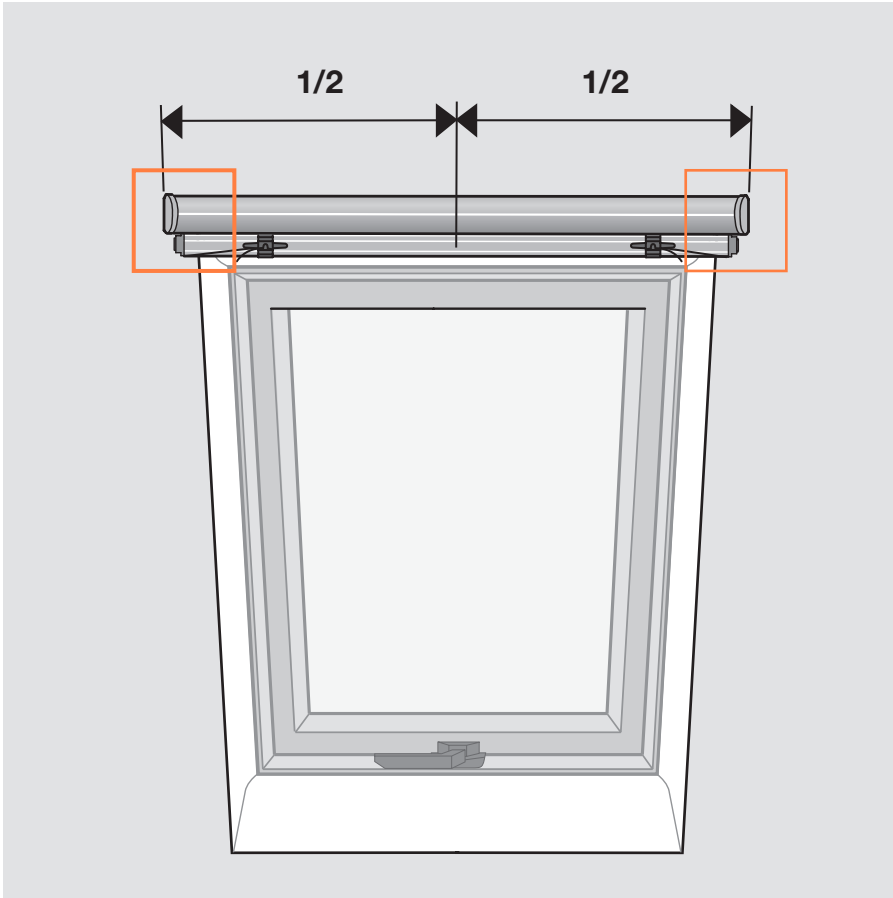
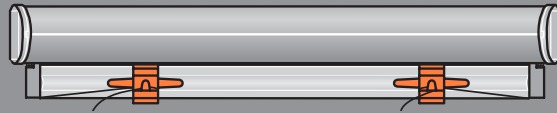
**ZOZ 157**



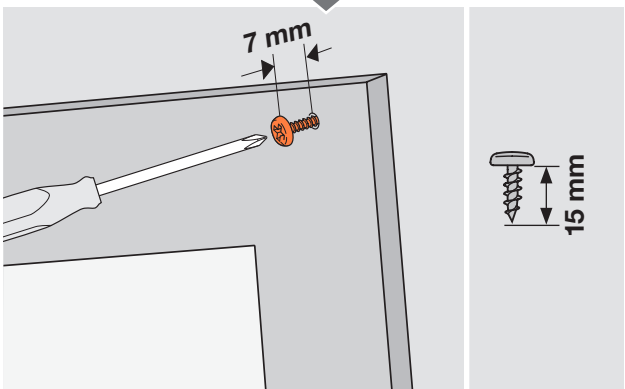
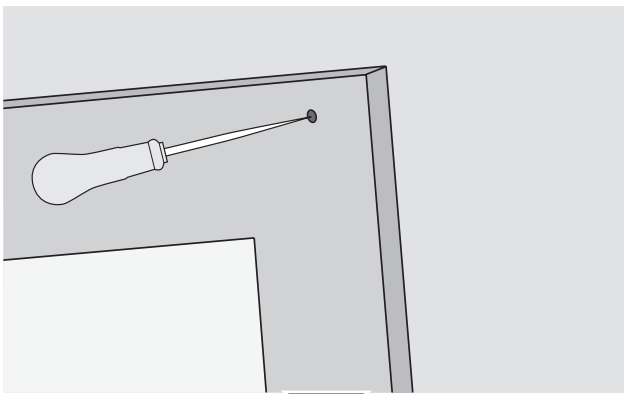
**ZIA**



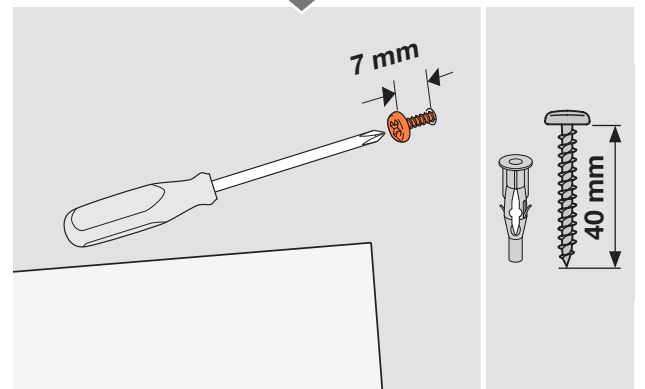
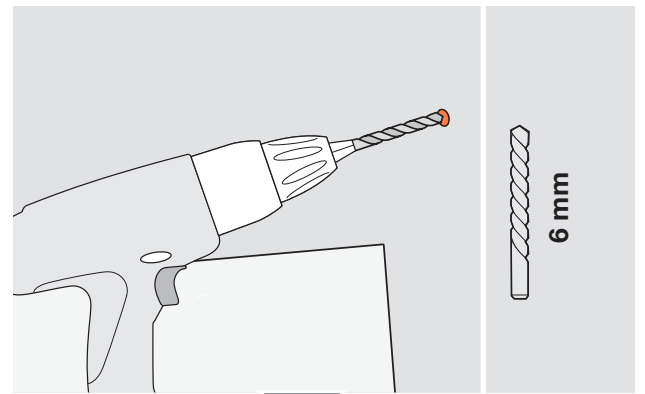
1



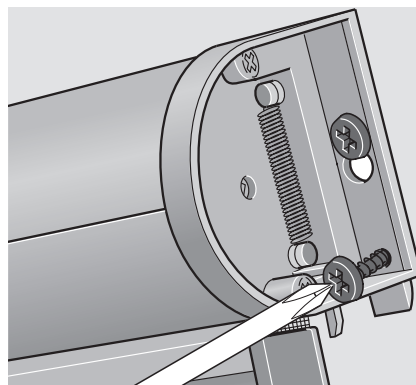
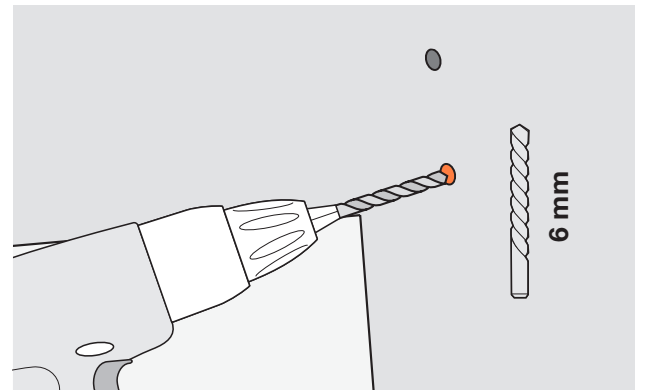
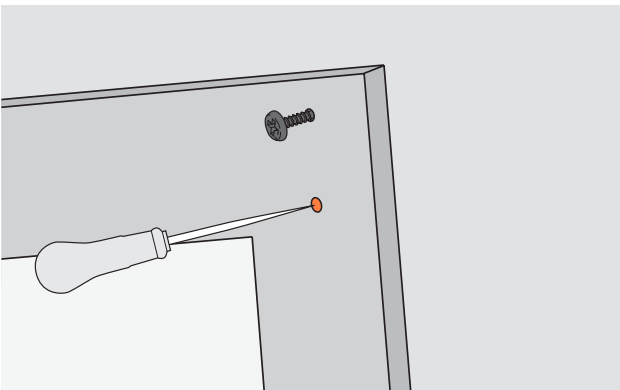
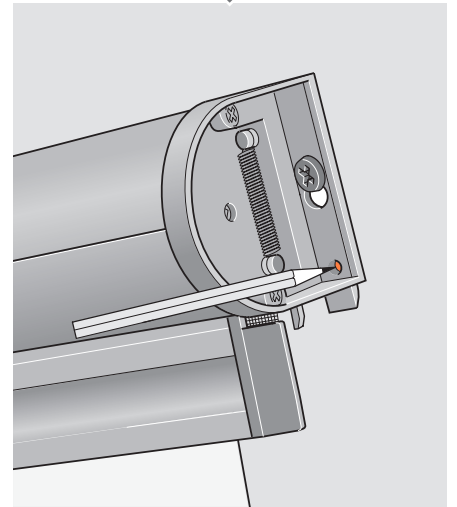
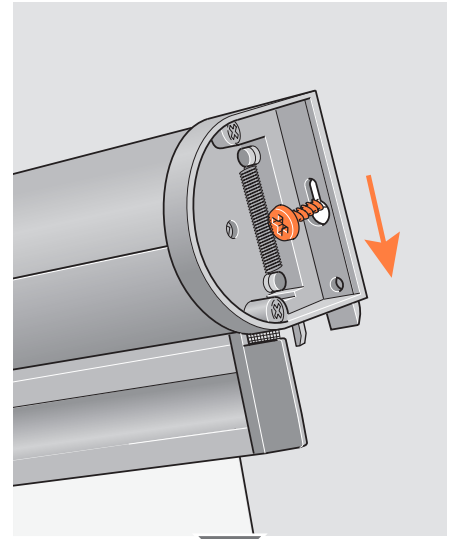
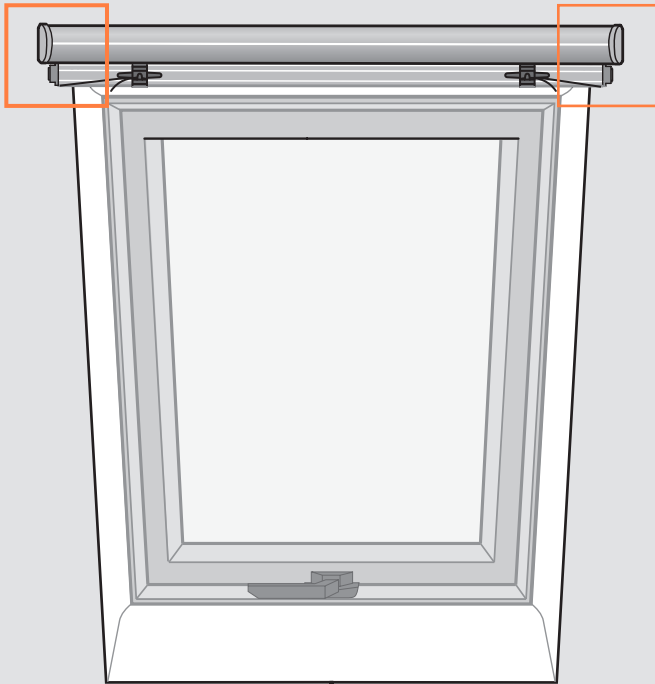
**A**



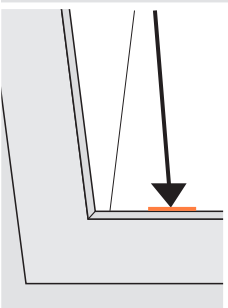
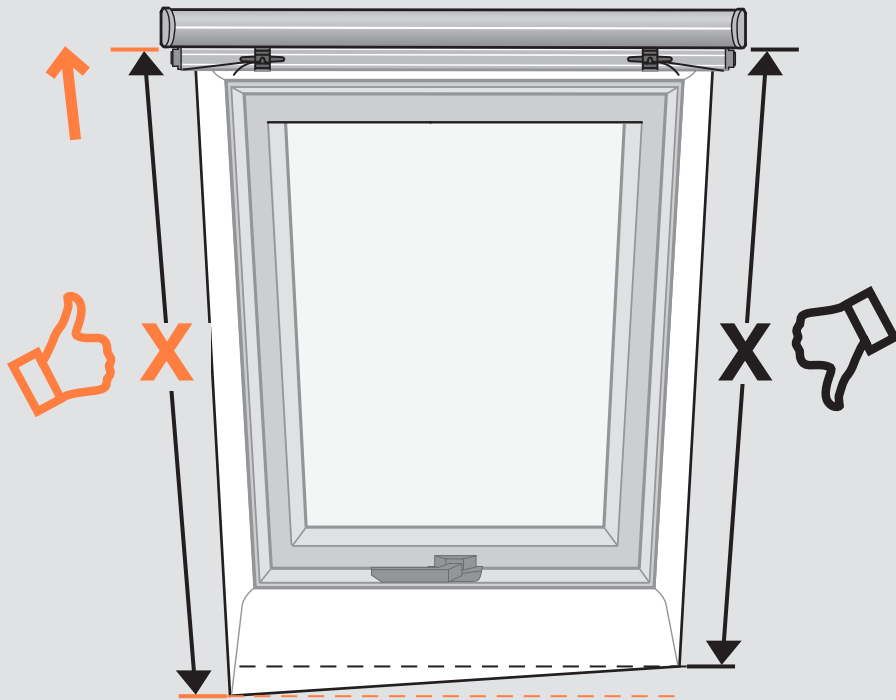
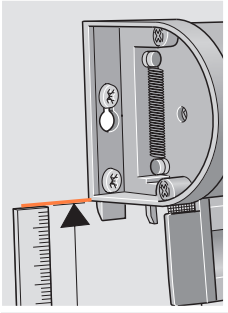
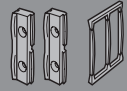
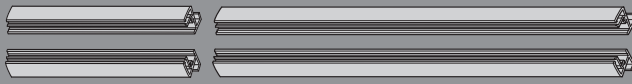
**B**



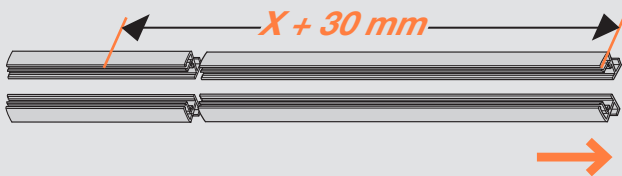
2



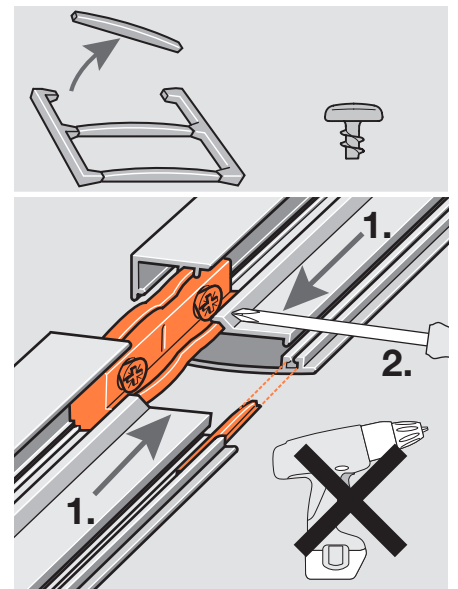
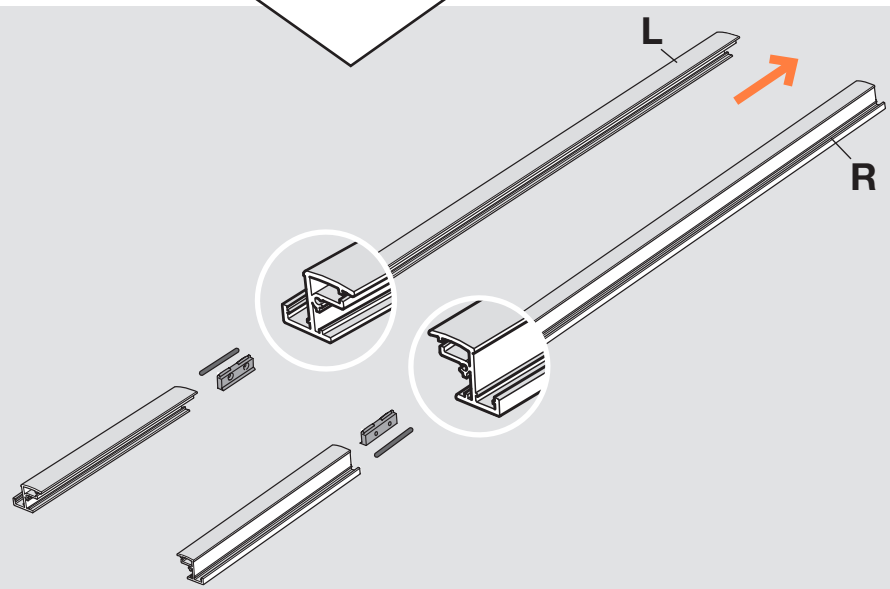
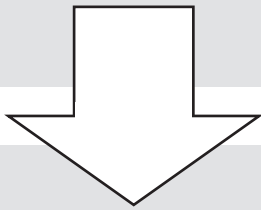
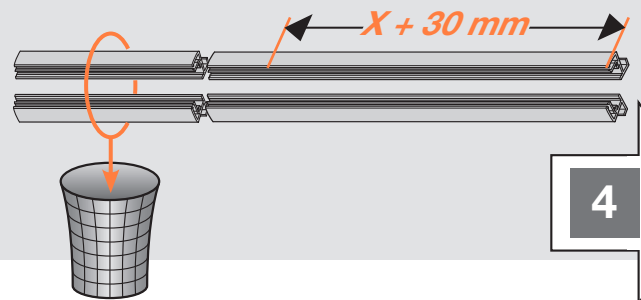
3



A

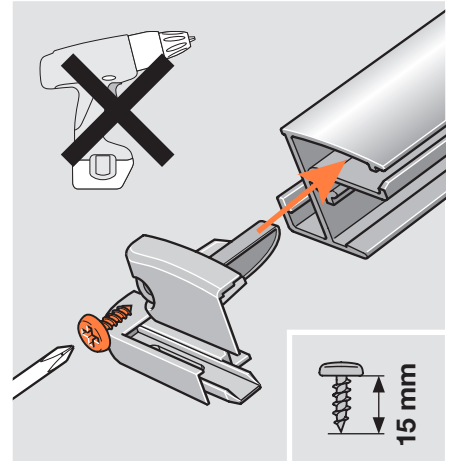
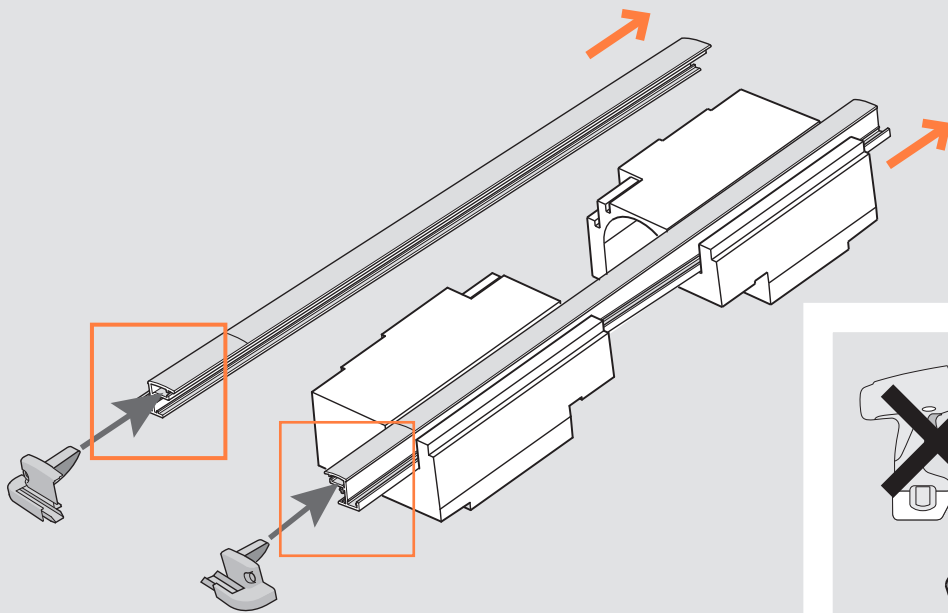
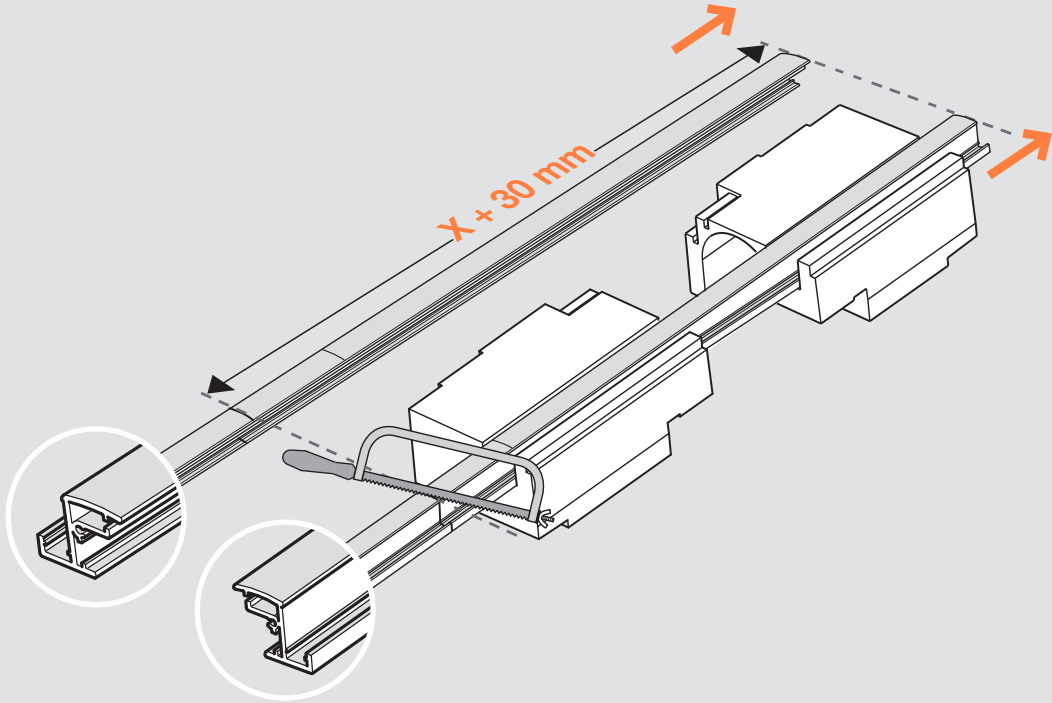
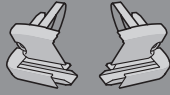


B

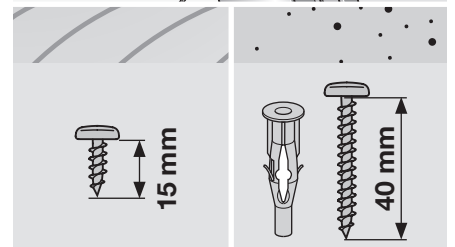
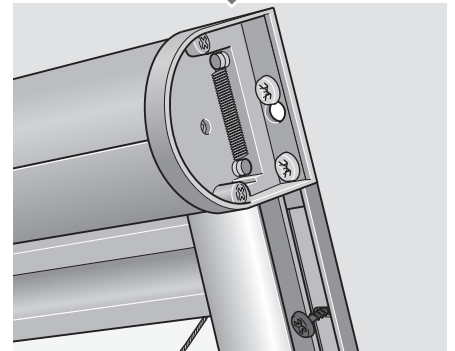
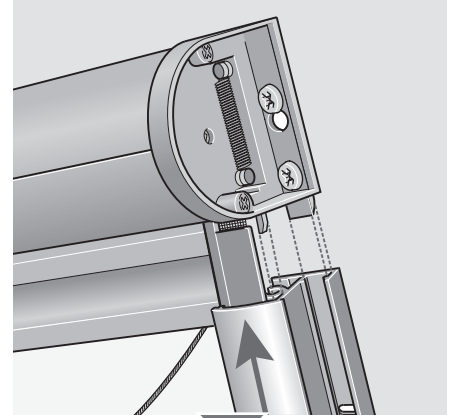
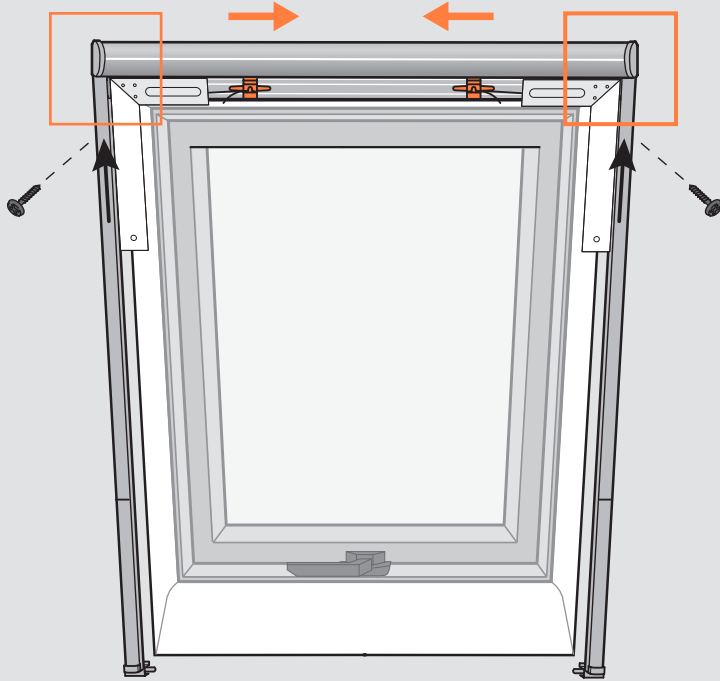




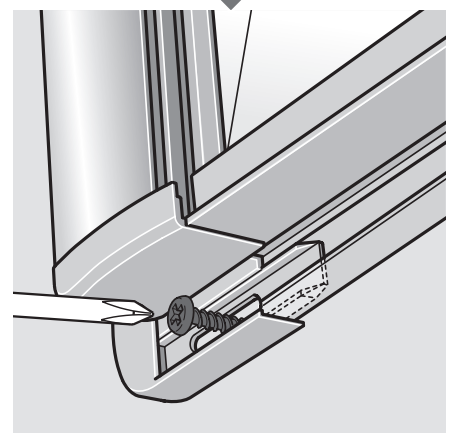
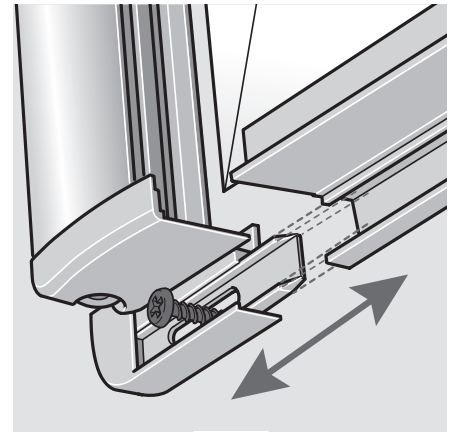
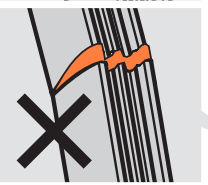
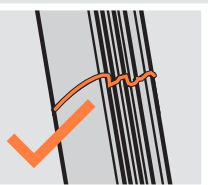
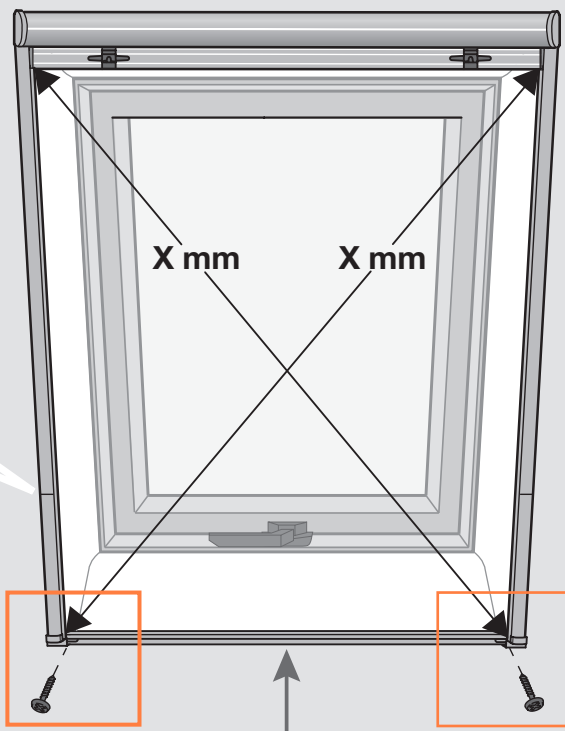
4



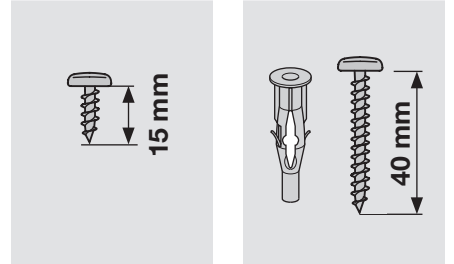
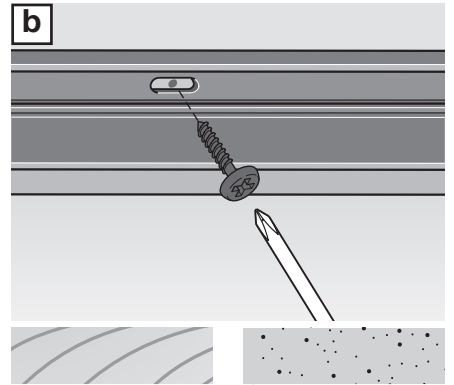
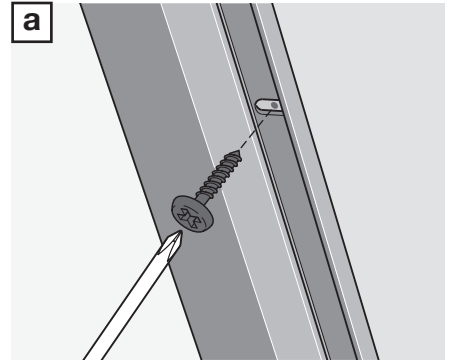
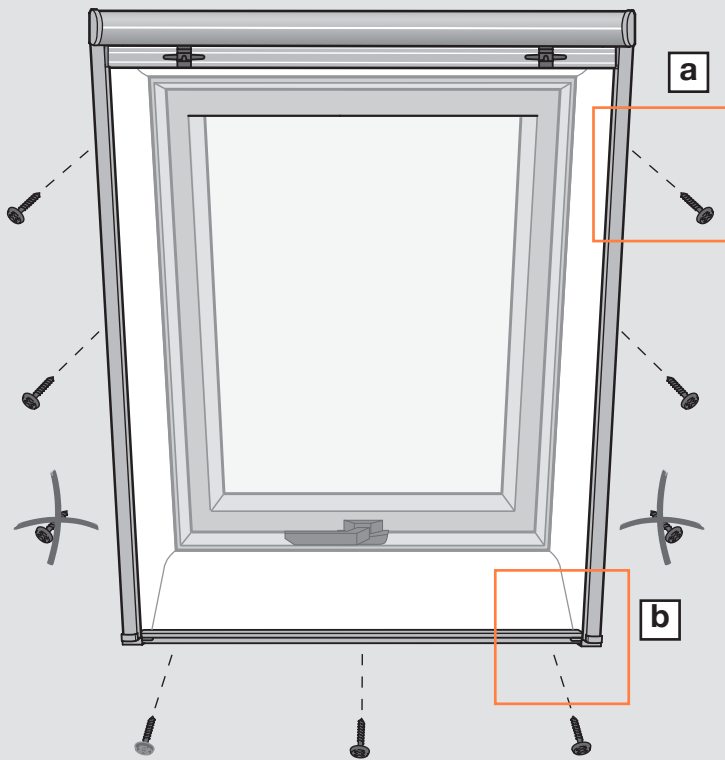
5



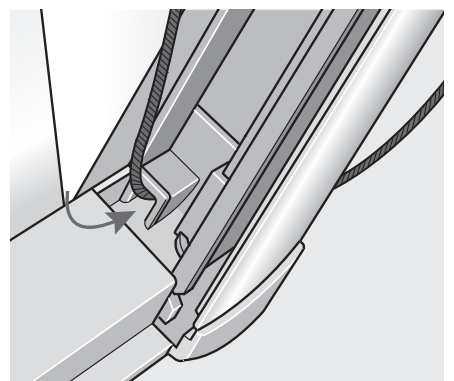
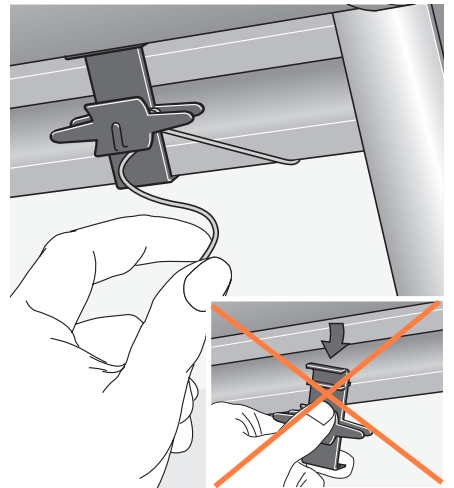
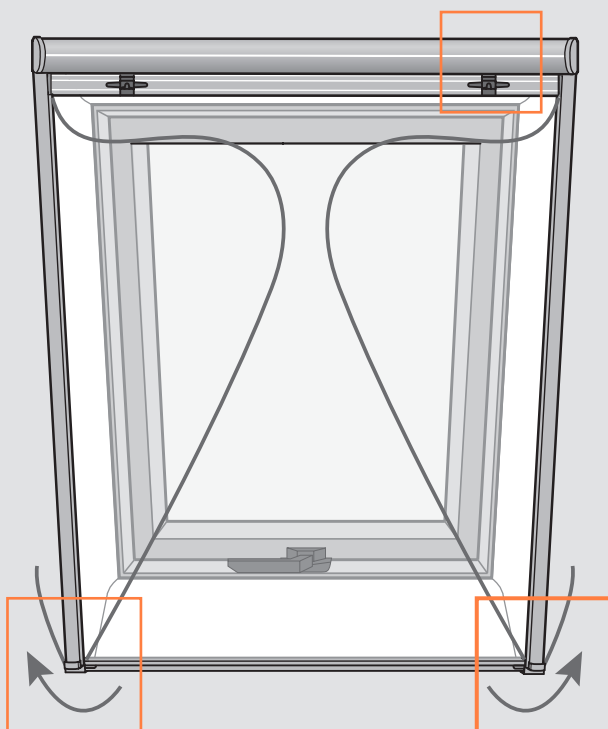
6



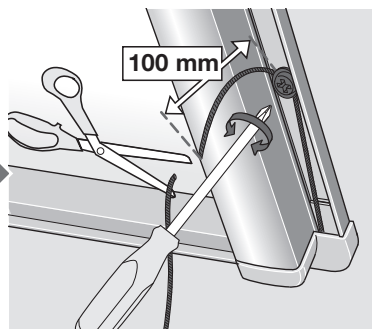
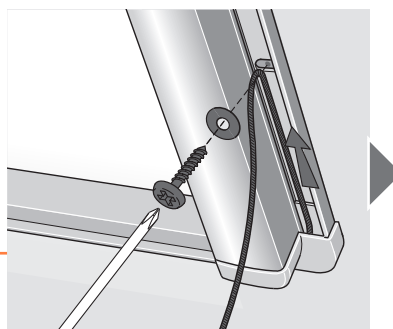
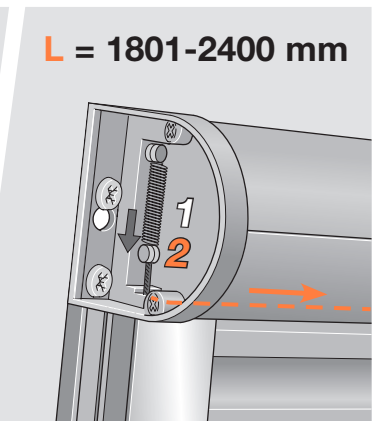
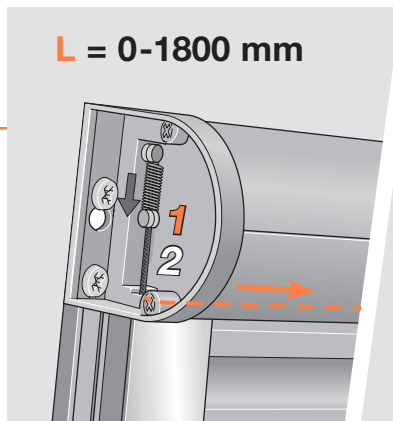
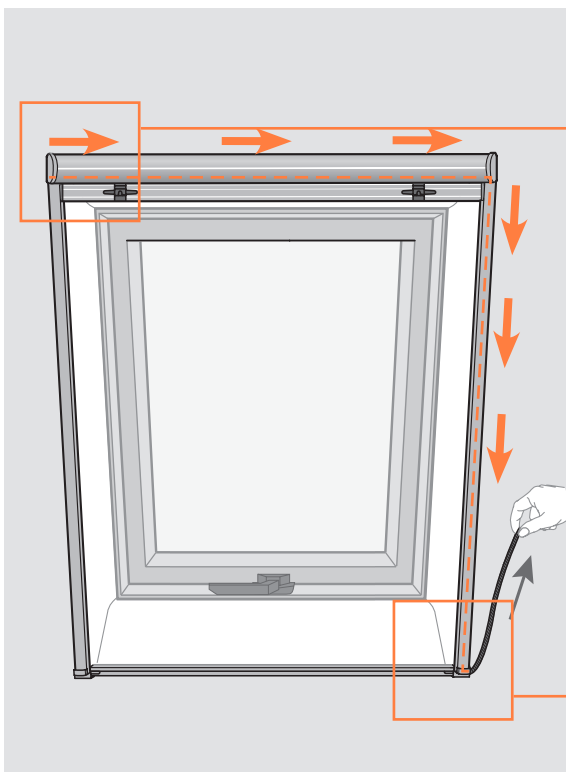
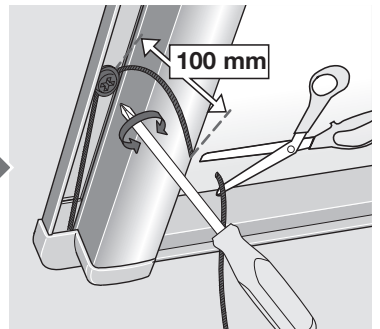
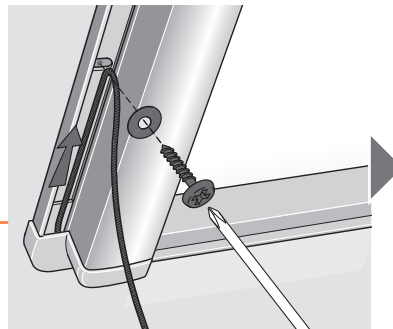
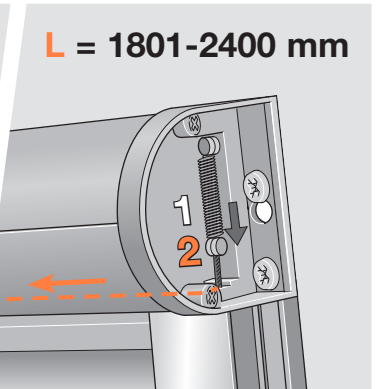
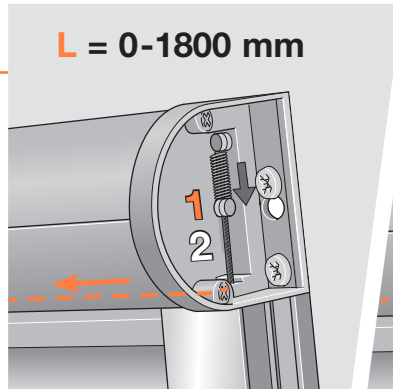
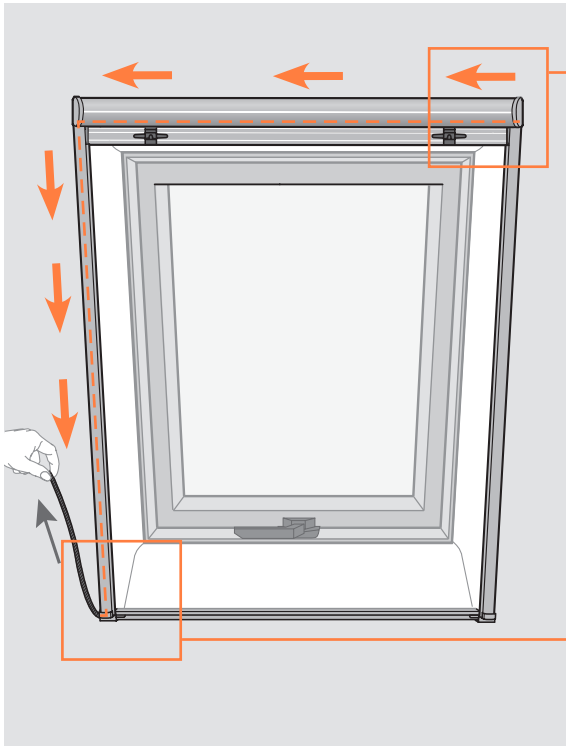
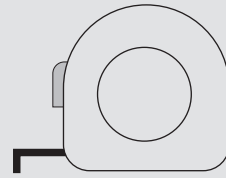
7



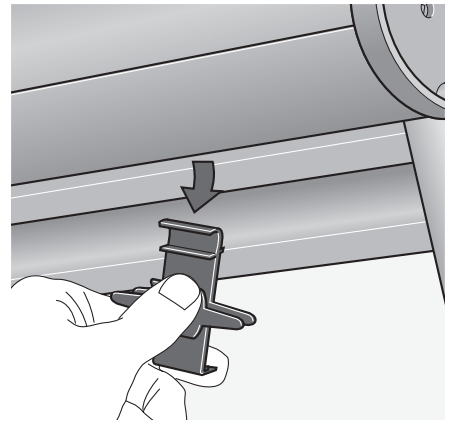
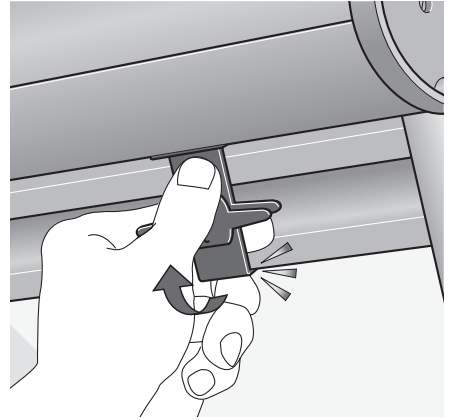
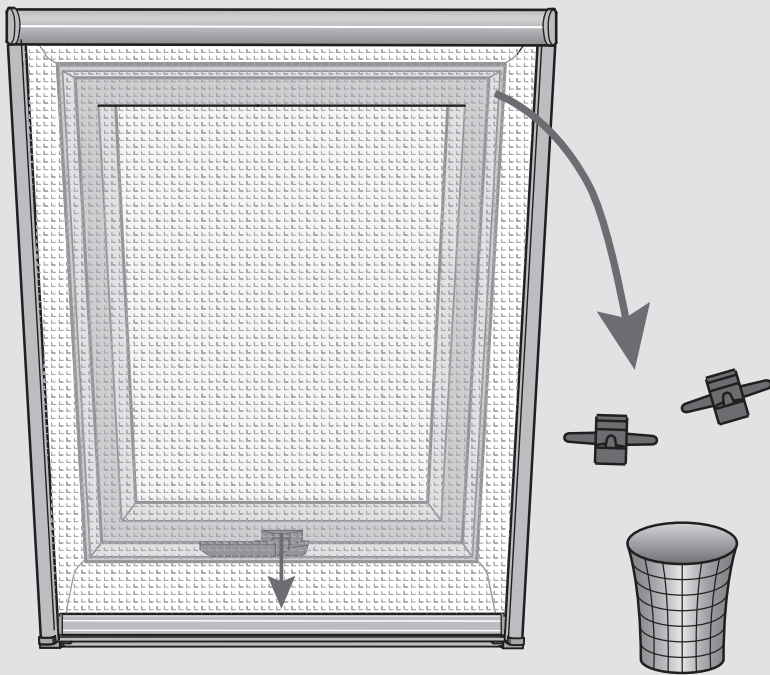
8



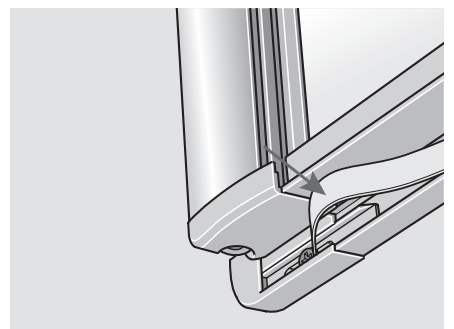
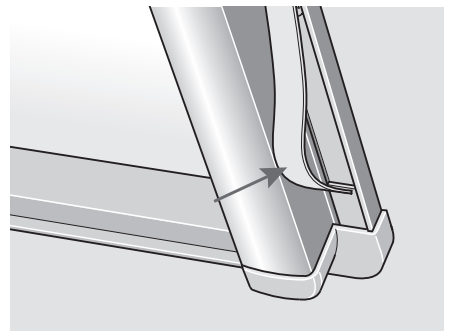
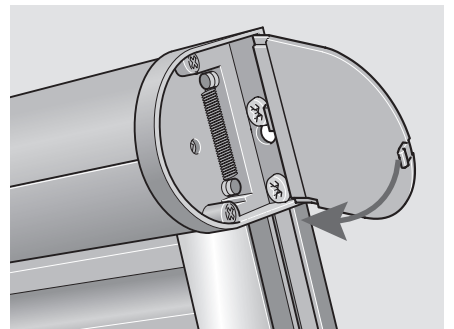
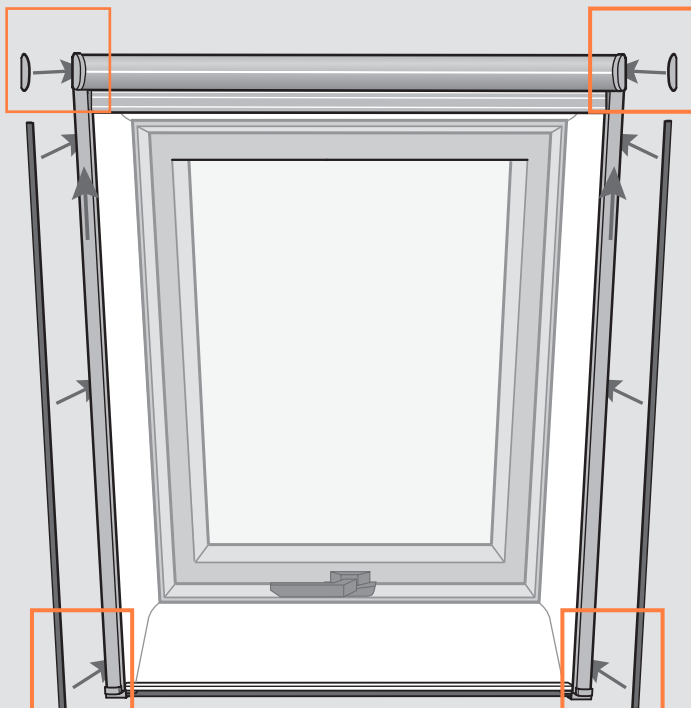
9

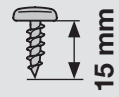
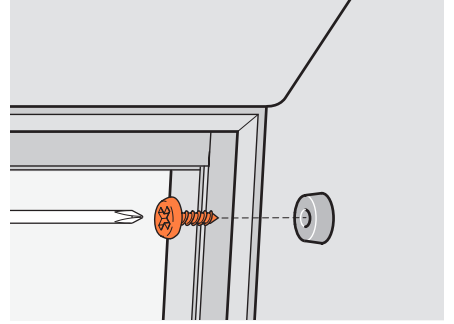
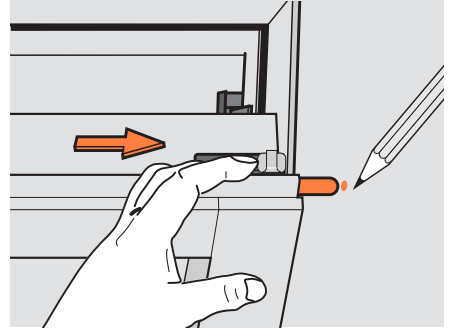
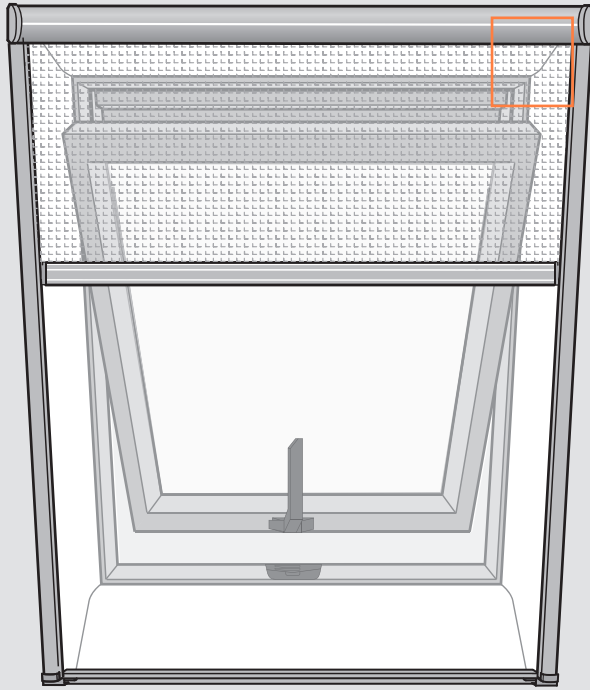


10

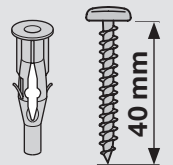


11

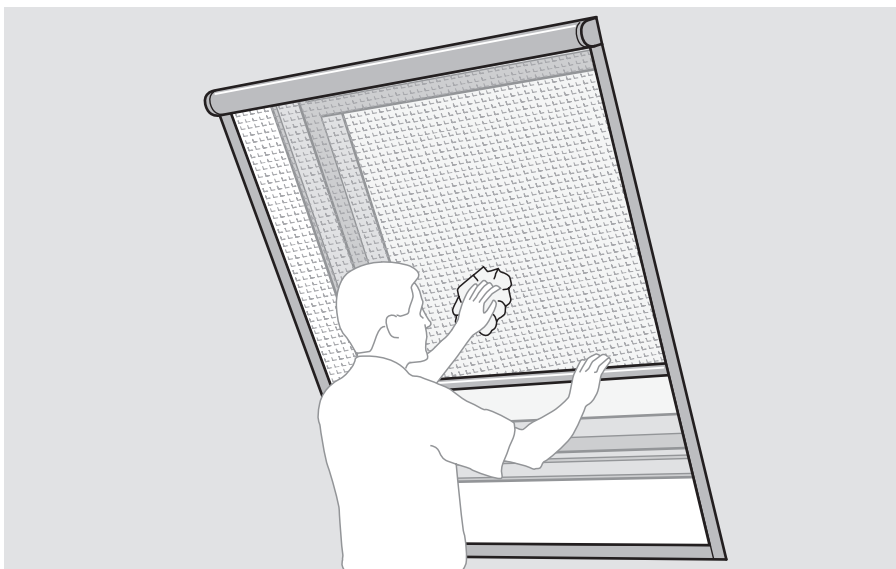
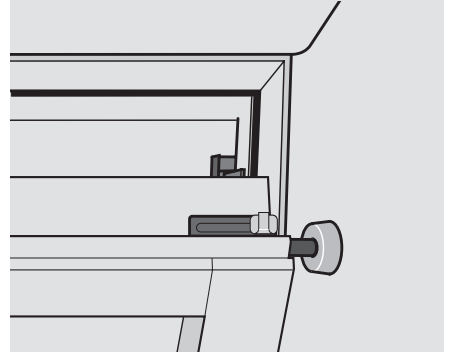




15 mm

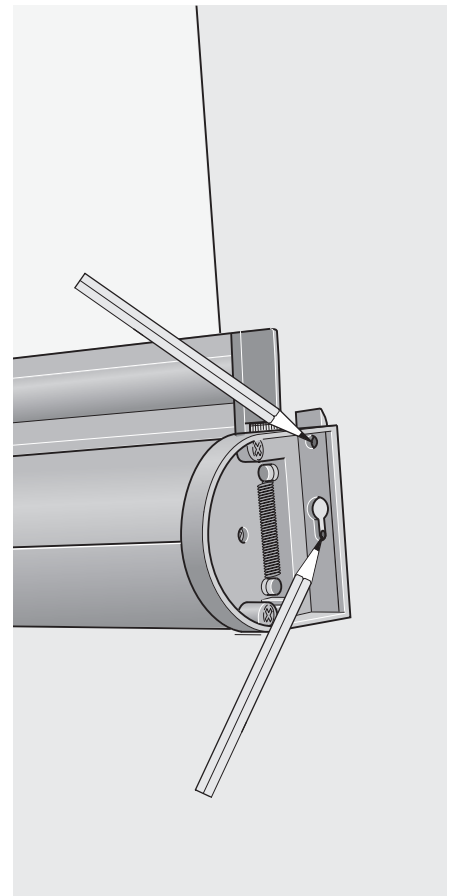
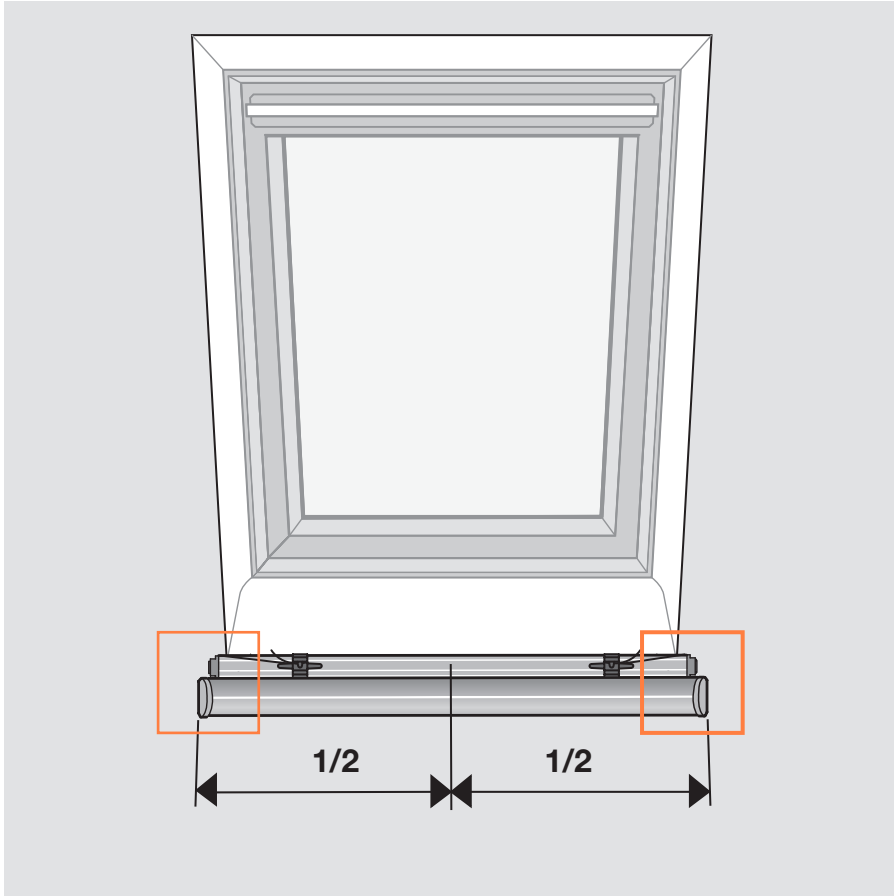


40 mm

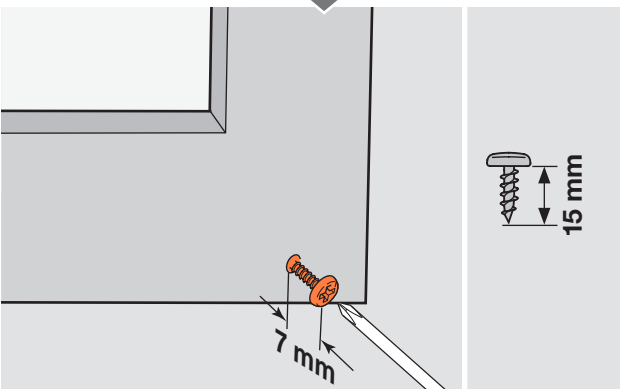
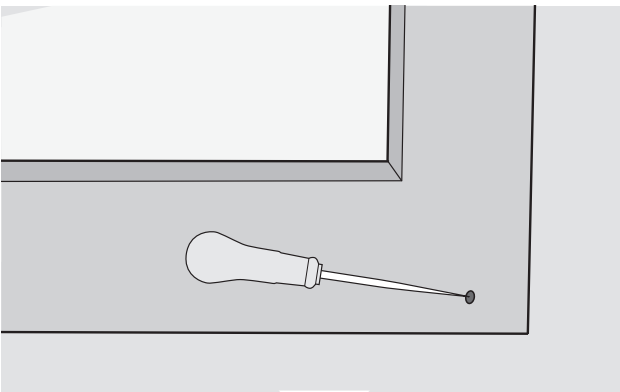




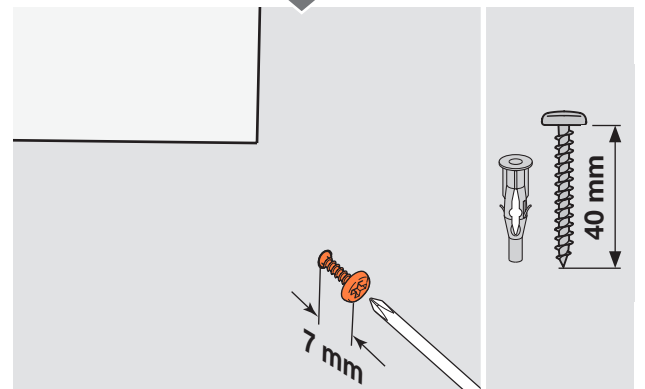
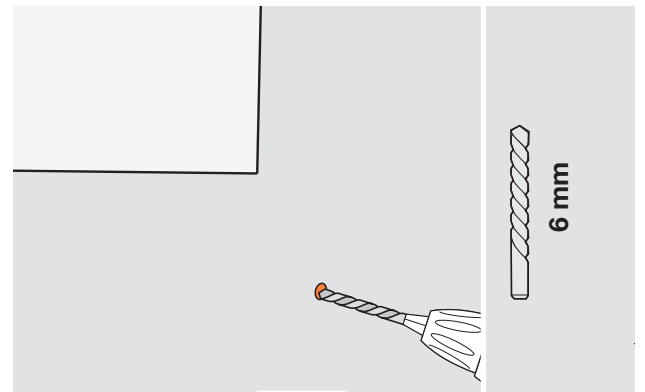
1



**A**

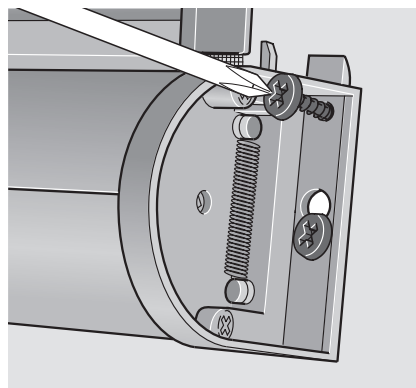
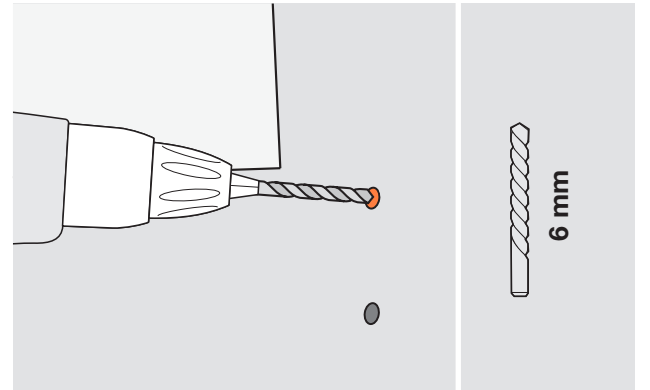
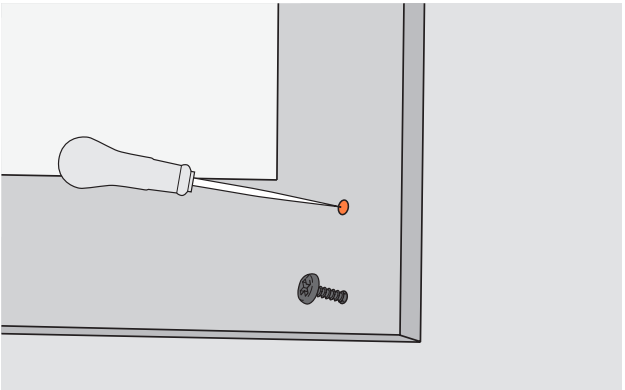
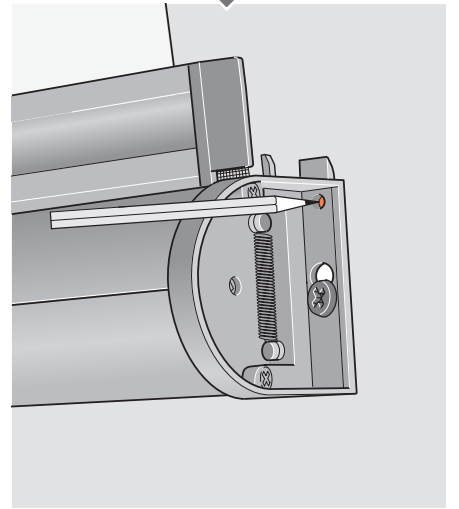
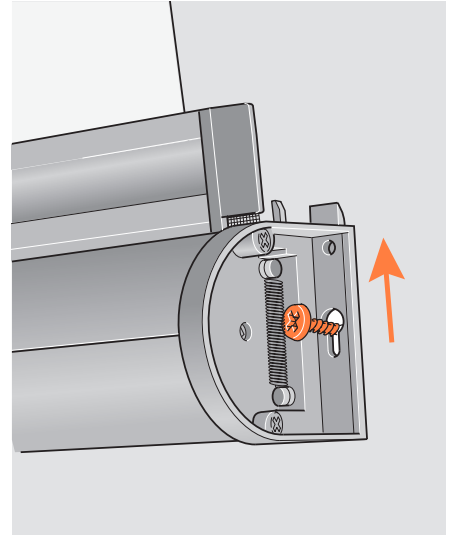
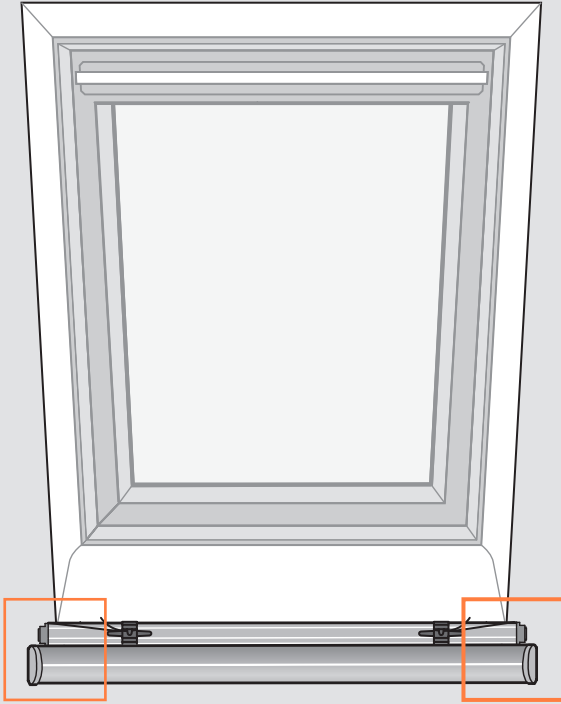


**B**

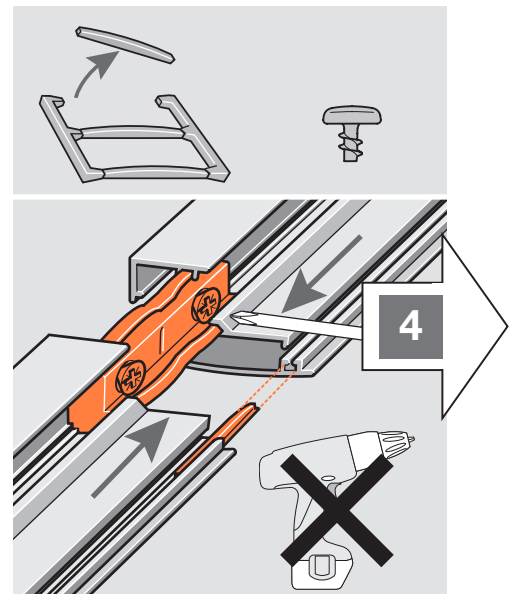
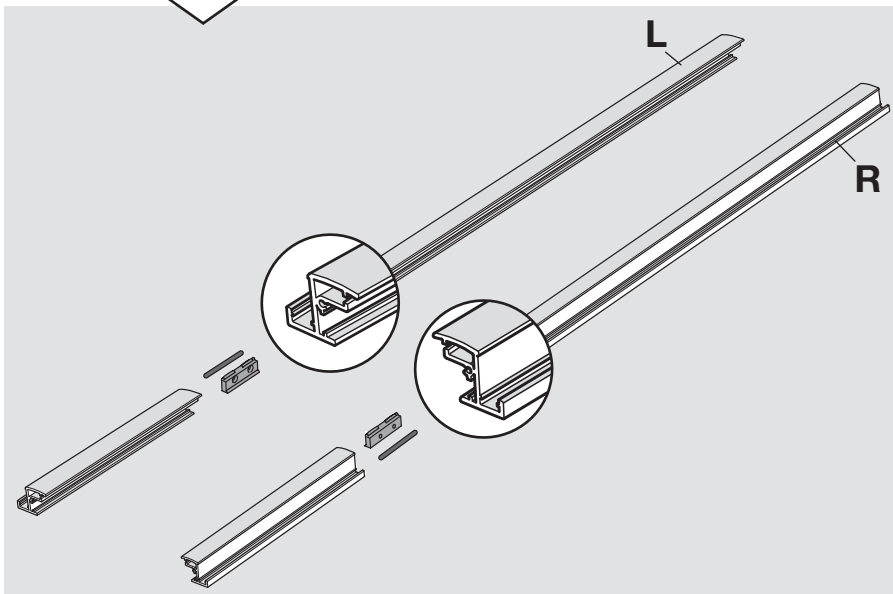
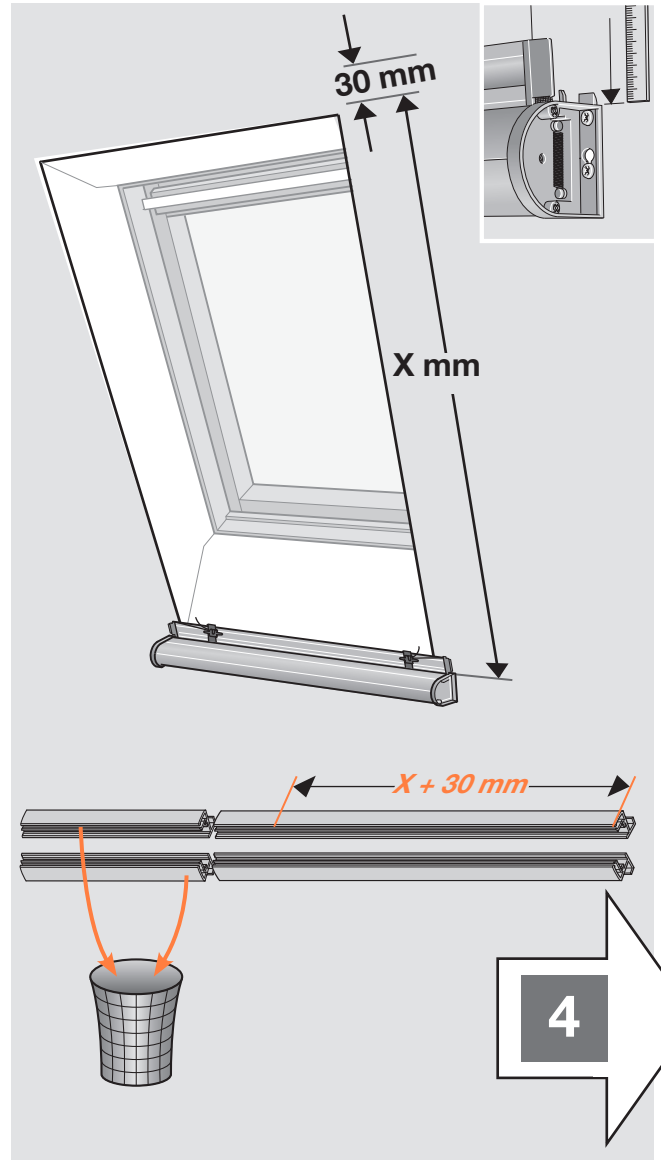
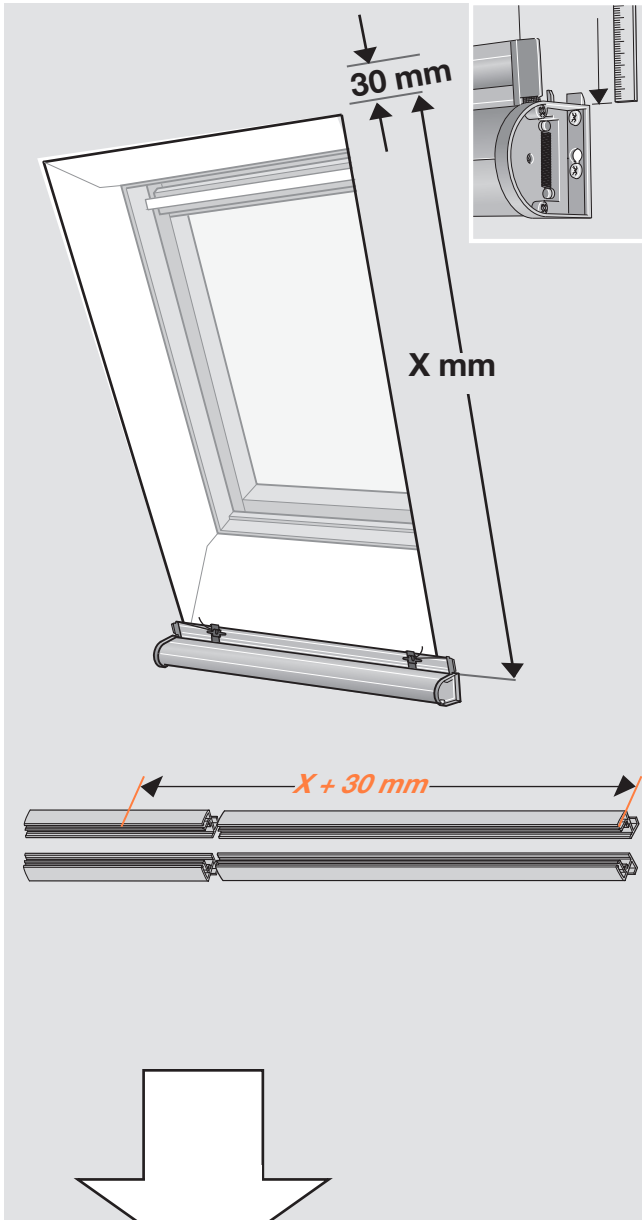
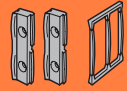




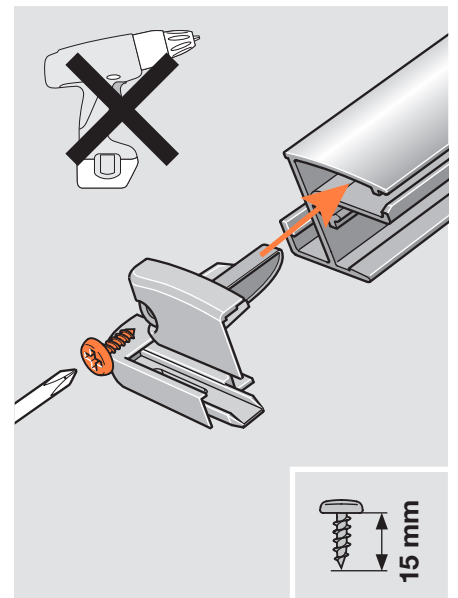
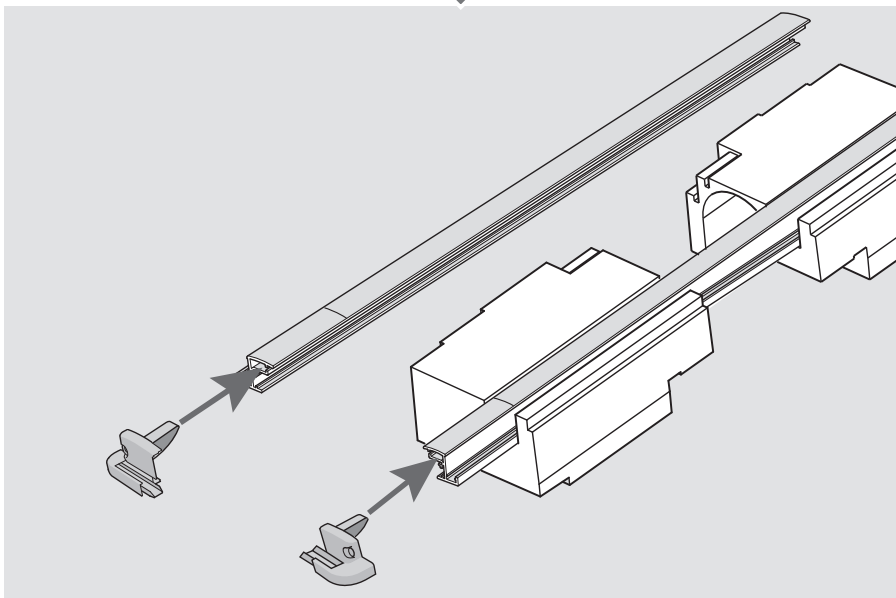
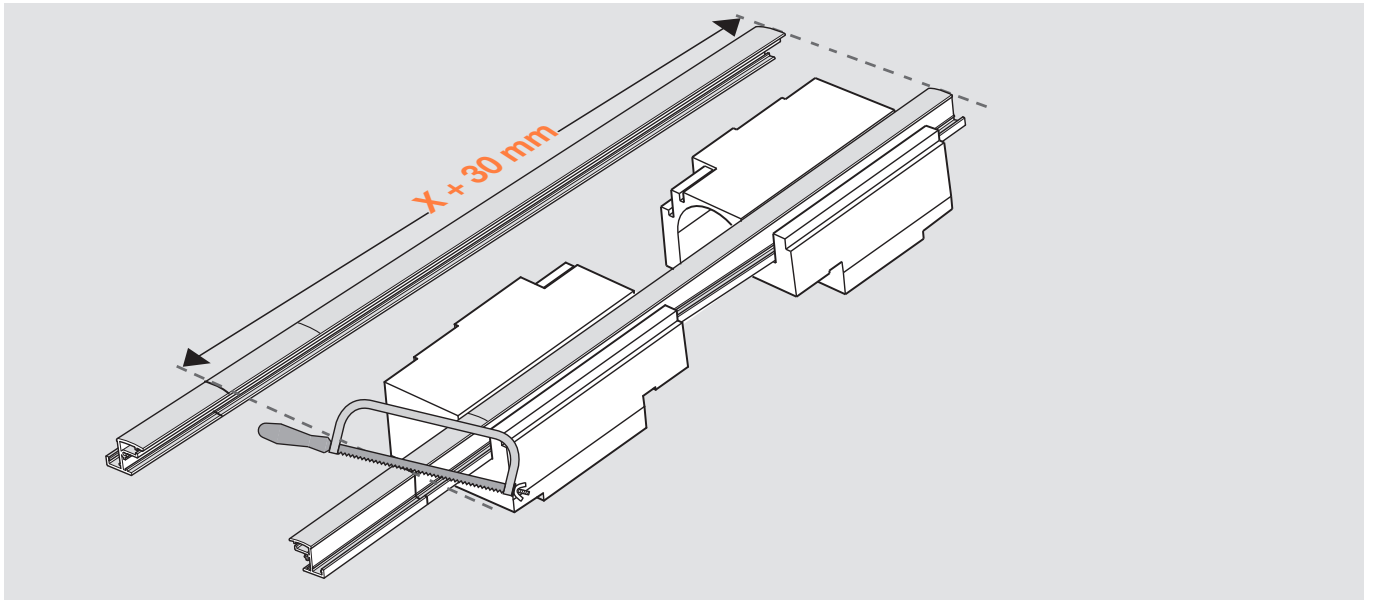
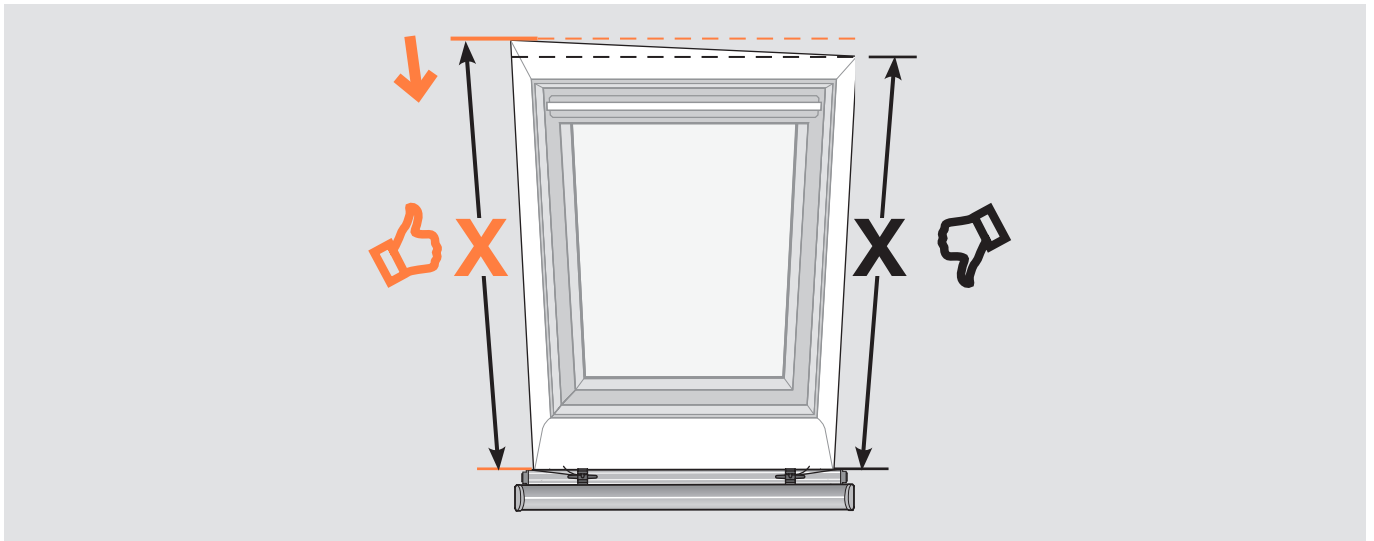
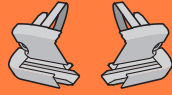
2



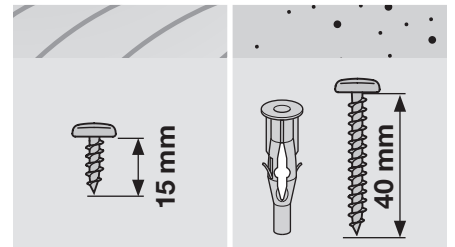
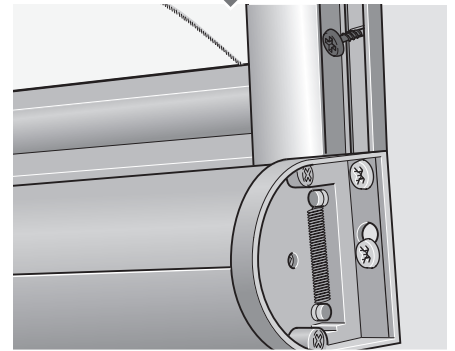
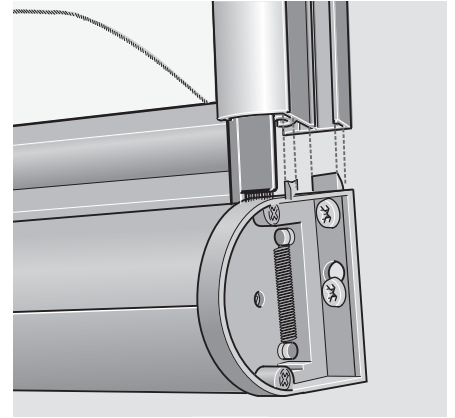
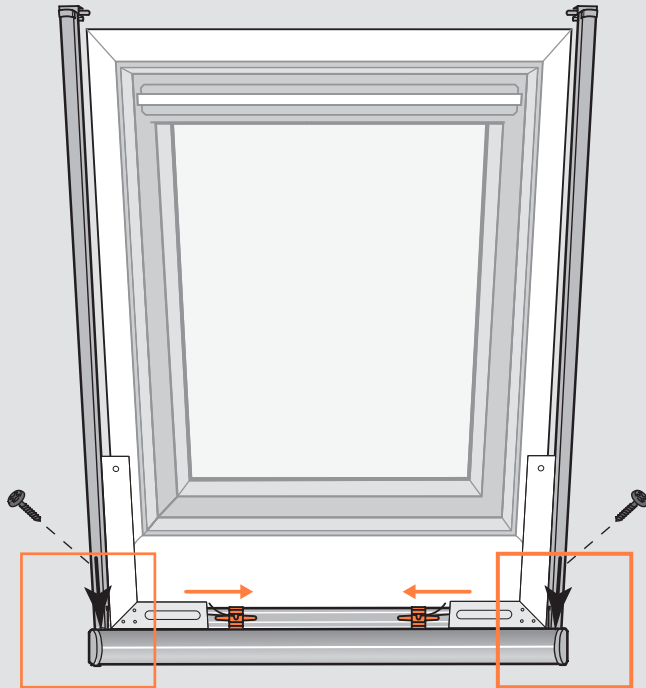
3



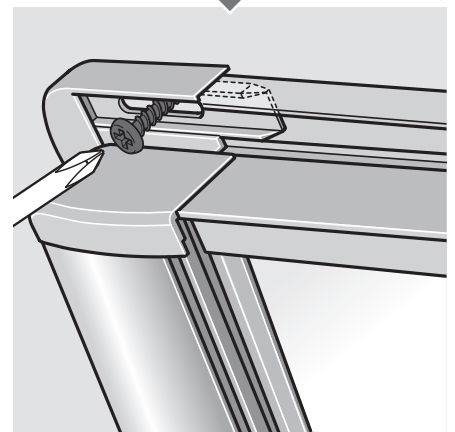
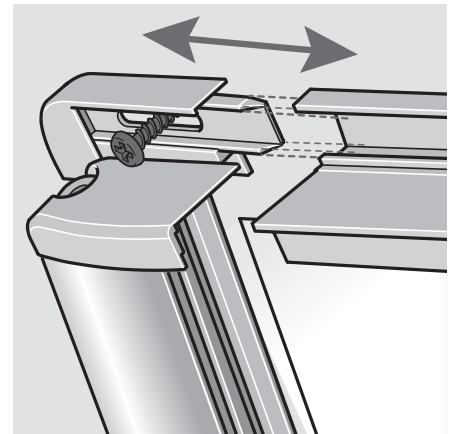
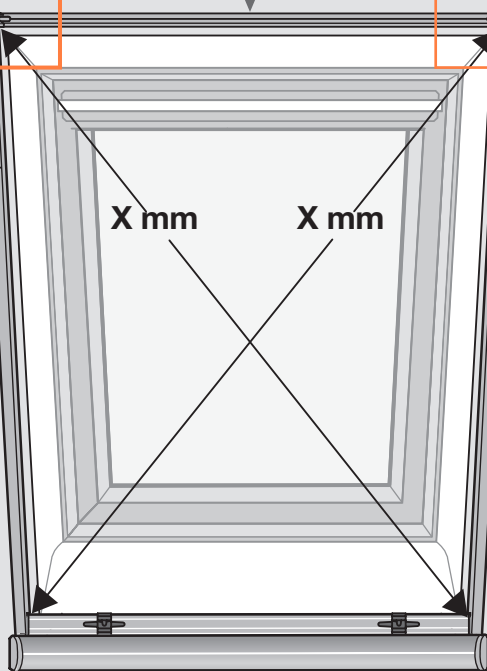
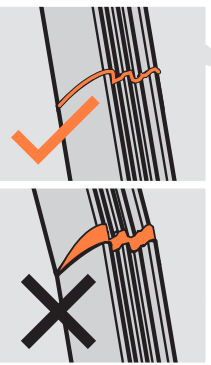
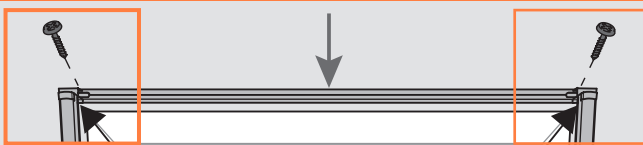
4



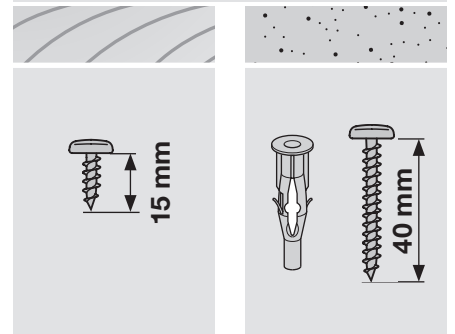
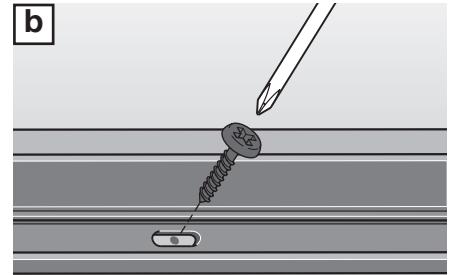
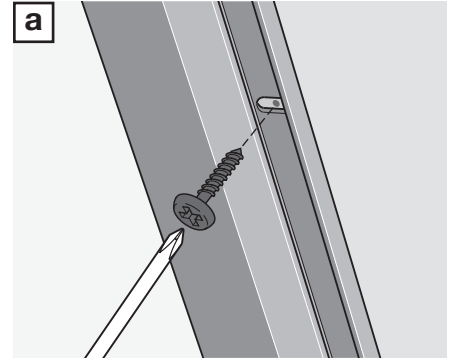
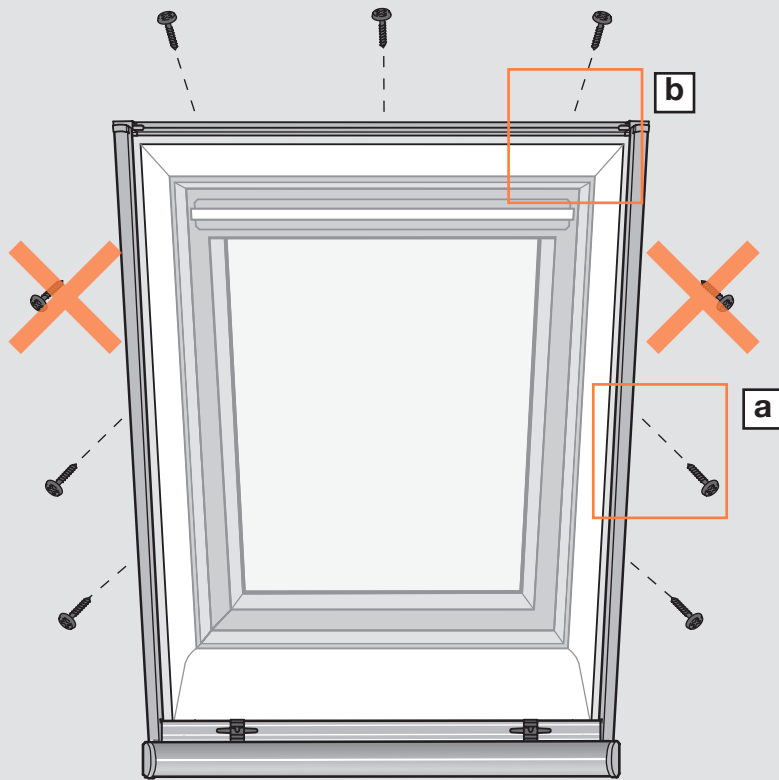
5



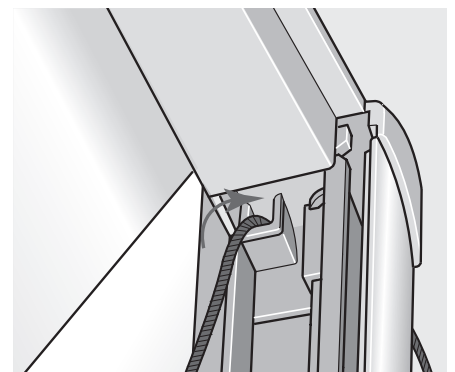
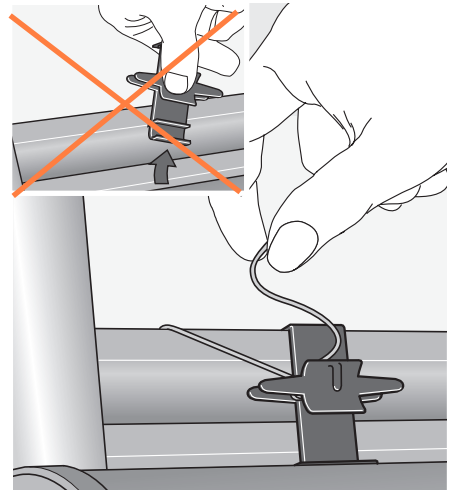
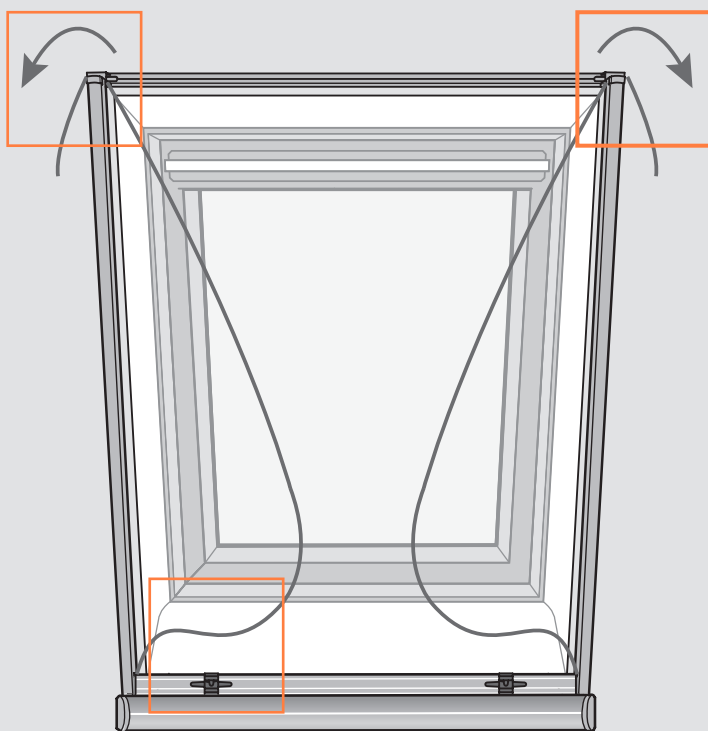
6



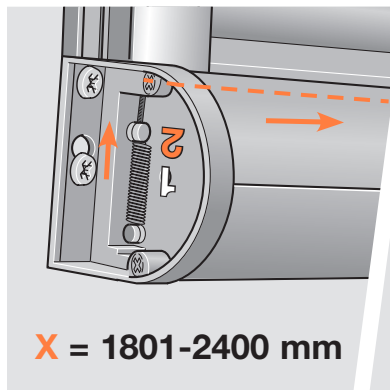
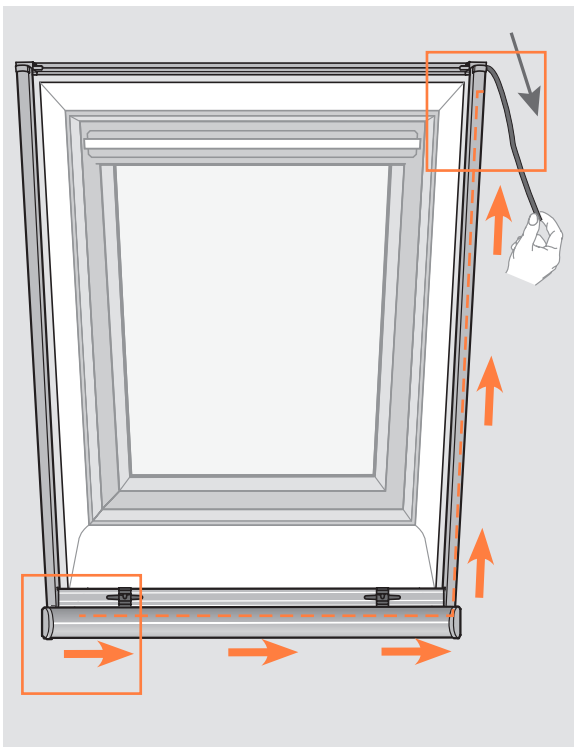
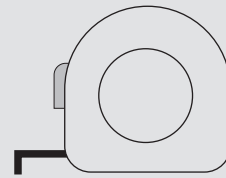
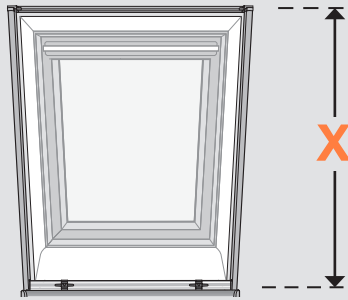
7



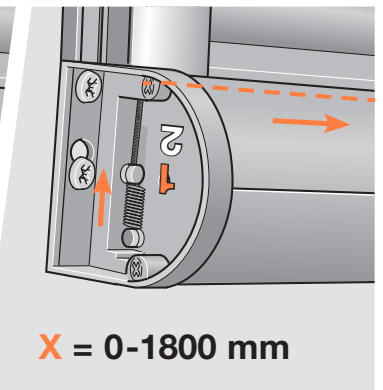
8



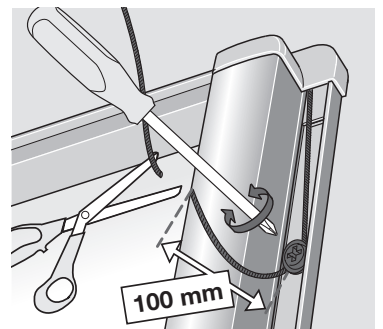
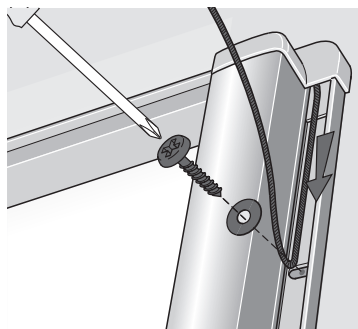
9



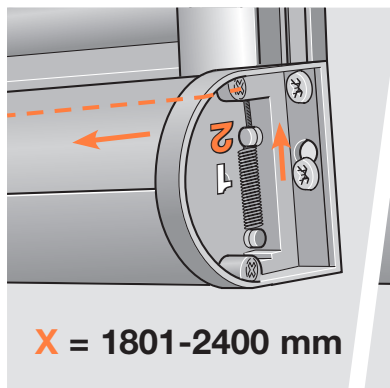
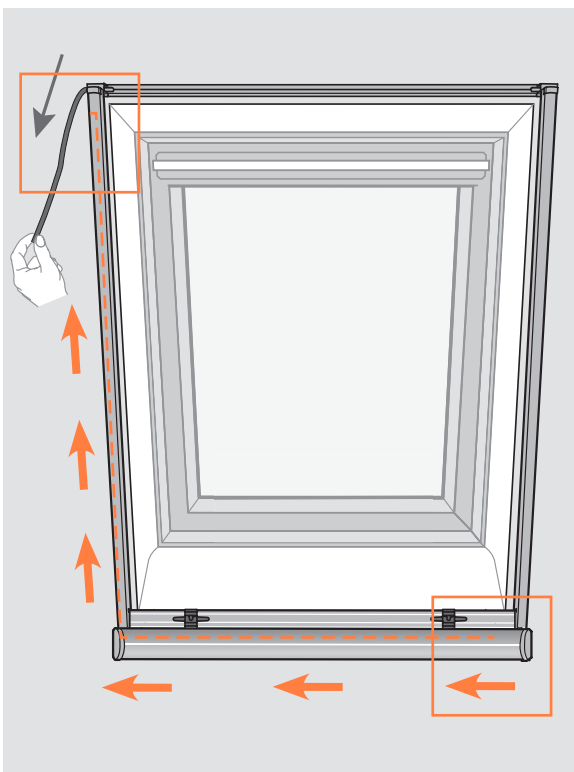
X = 1801-2400 mm



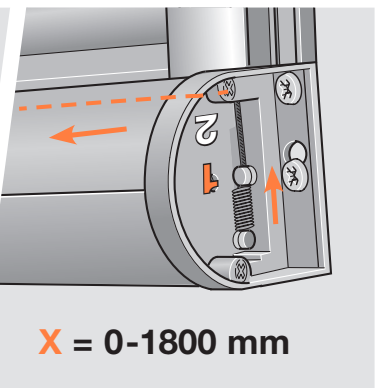
X = 0-1800 mm



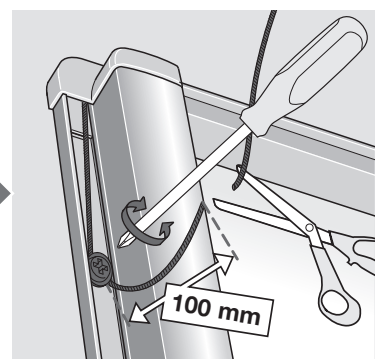
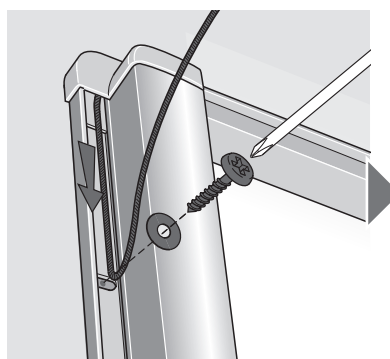
100 mm



X = 1801-2400 mm

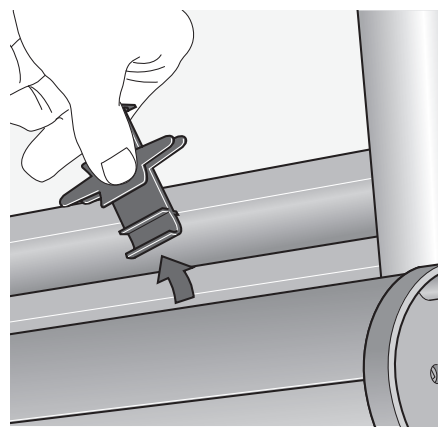
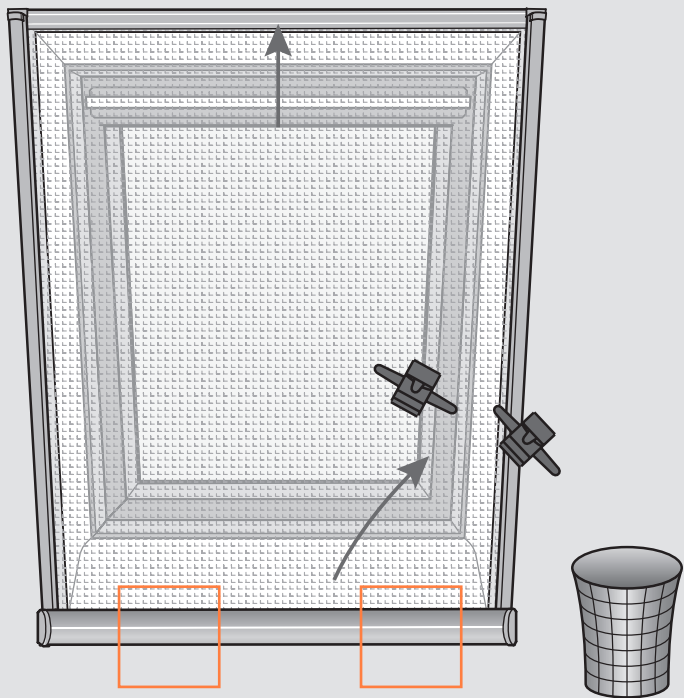


X = 0-1800 mm



100 mm

10



11

