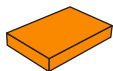


**BETTER  
ENERGY**

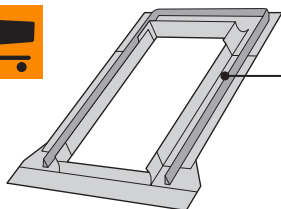


Roof windows for **smart professionals**

**KAV B1500**  
**KPV B1500**

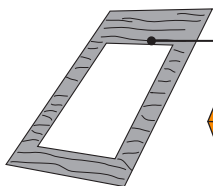


**KTF, KSF,**  
**KUF, UCX,**  
**KFF, KFP,**  
**UBX, SCX,**  
**KLS, KSS**



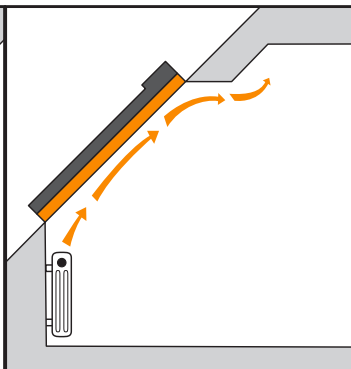
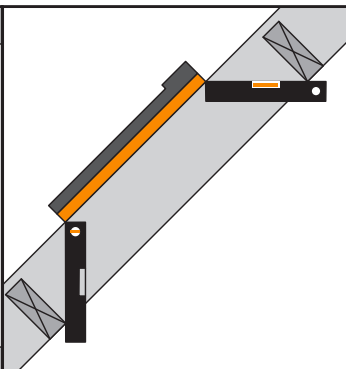
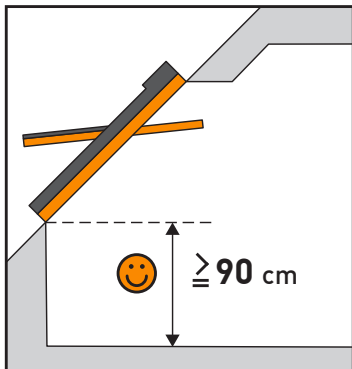
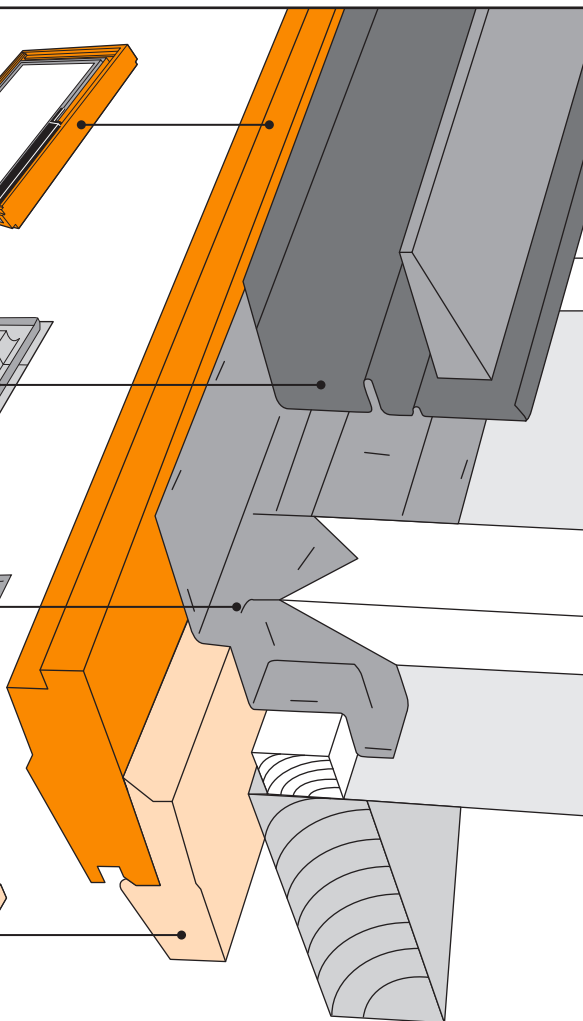
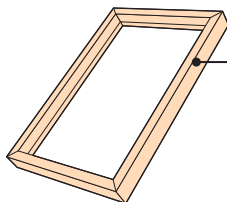
**RUC**

KAV B1500  
KPV B1500

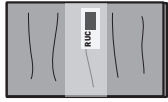


**IFC**

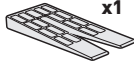
KAV B1500  
KPV B1500



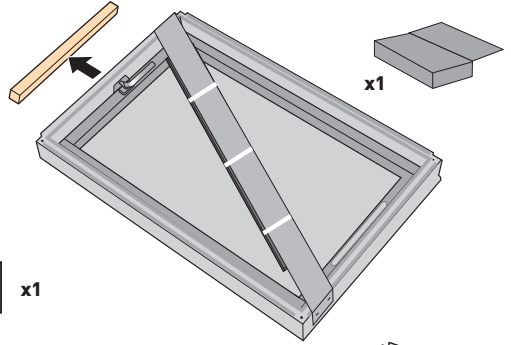
# 01



RUC x1



x1



x1



x1



**x18:** C2A, C4A, F4A, F6A, M4A, M6A  
**x27:** M8A, M10A, P6A, S6A, U4A  
**x36:** P8A, S8A, U8A



**x4:** C2A, C4A, F4A, F6A, M4A, M6A  
**x5:** P6A, S6A, U4A  
**x6:** M8A, M10A  
**x7:** P8A, S8A, U8A



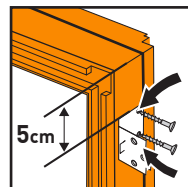
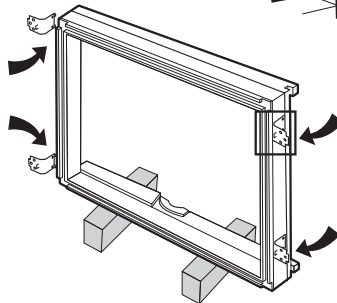
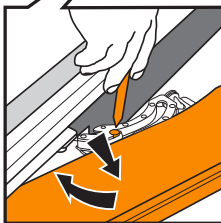
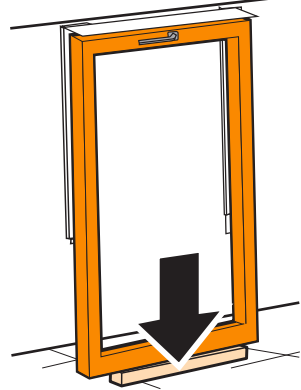
**x18:** C2A, C4A, F4A, F6A, M4A, M6A, M8A, M10A, P6A, S6A, U4A

**x10:** C2A, C4A, F6A, M4A, M6A  
**x12:** S6A, P6A, U4A  
**x14:** M8A, M10A

# 02



# 03



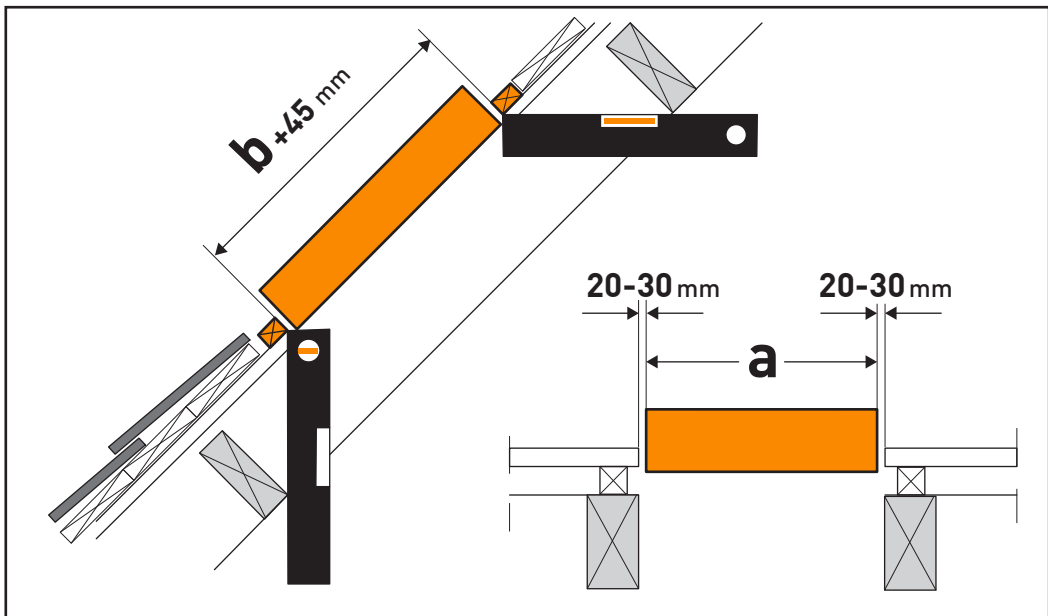
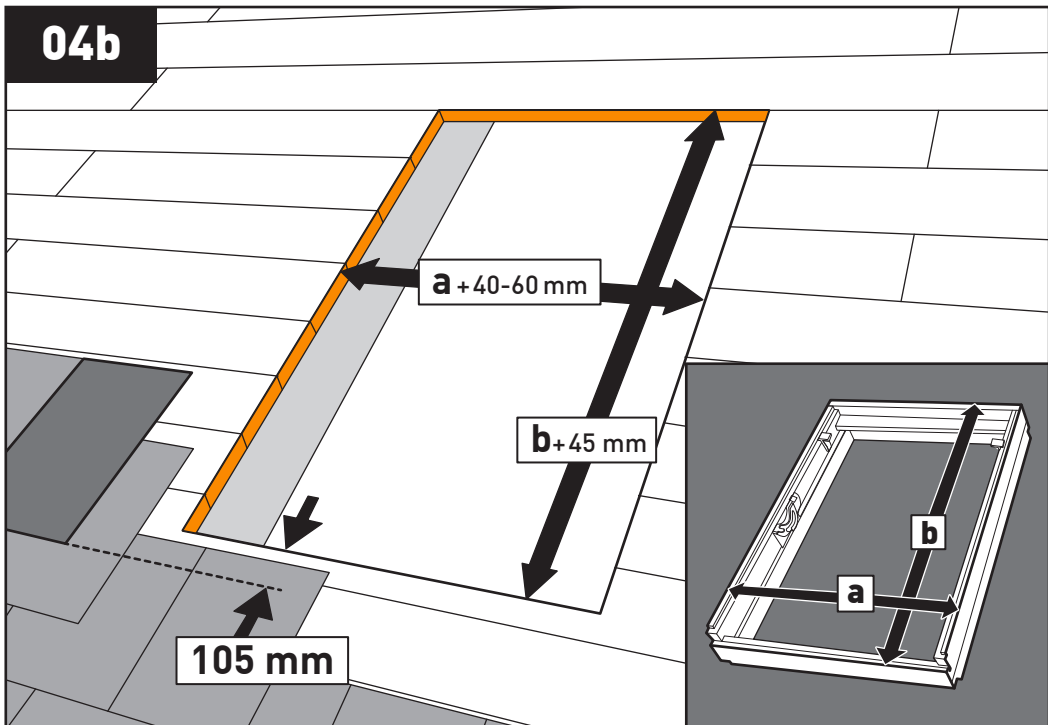
5cm



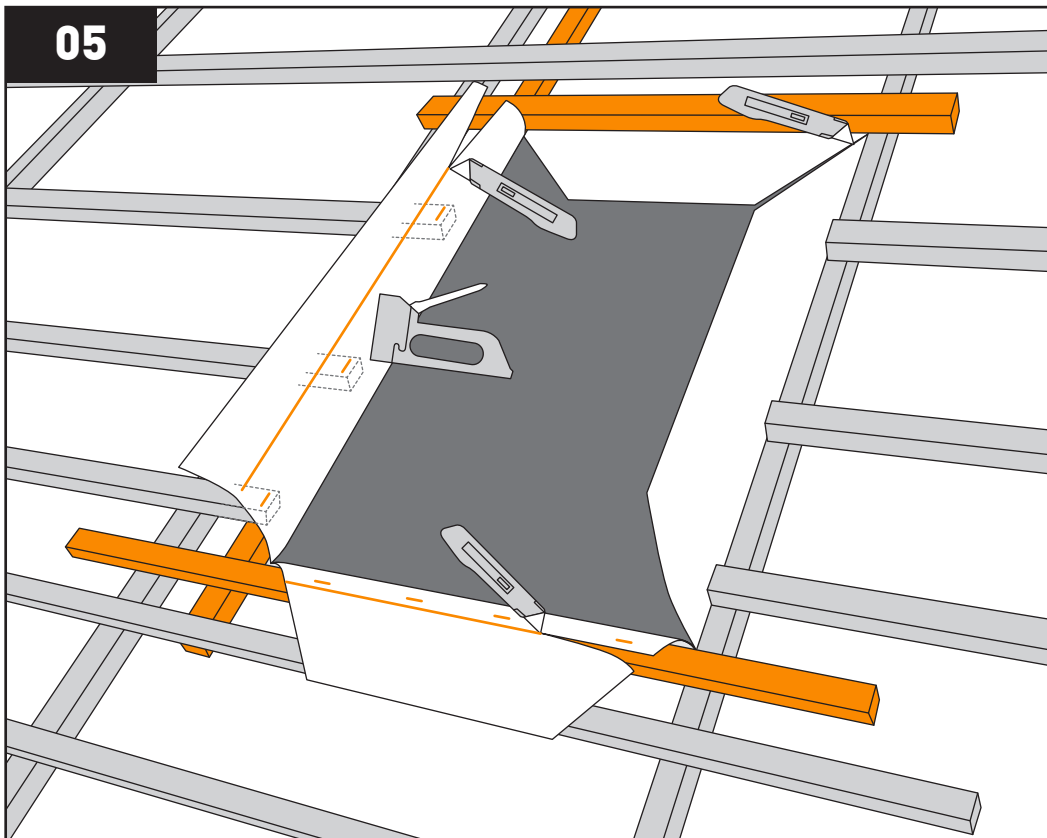


KSF

04b

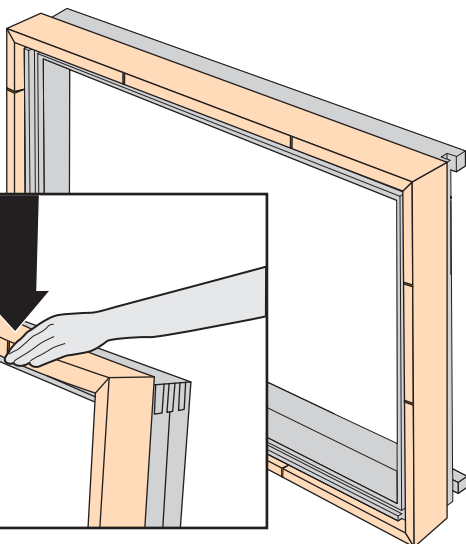
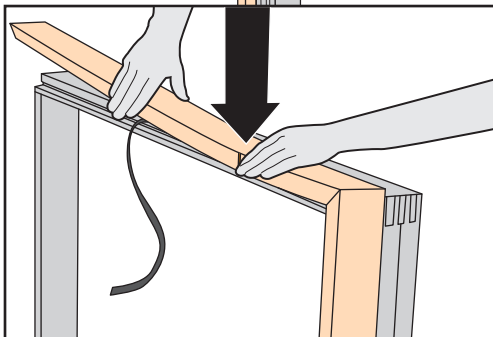
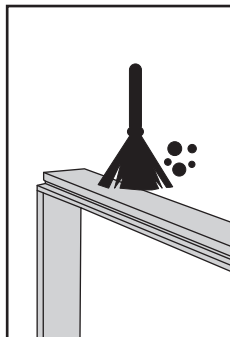


05



06

IFC

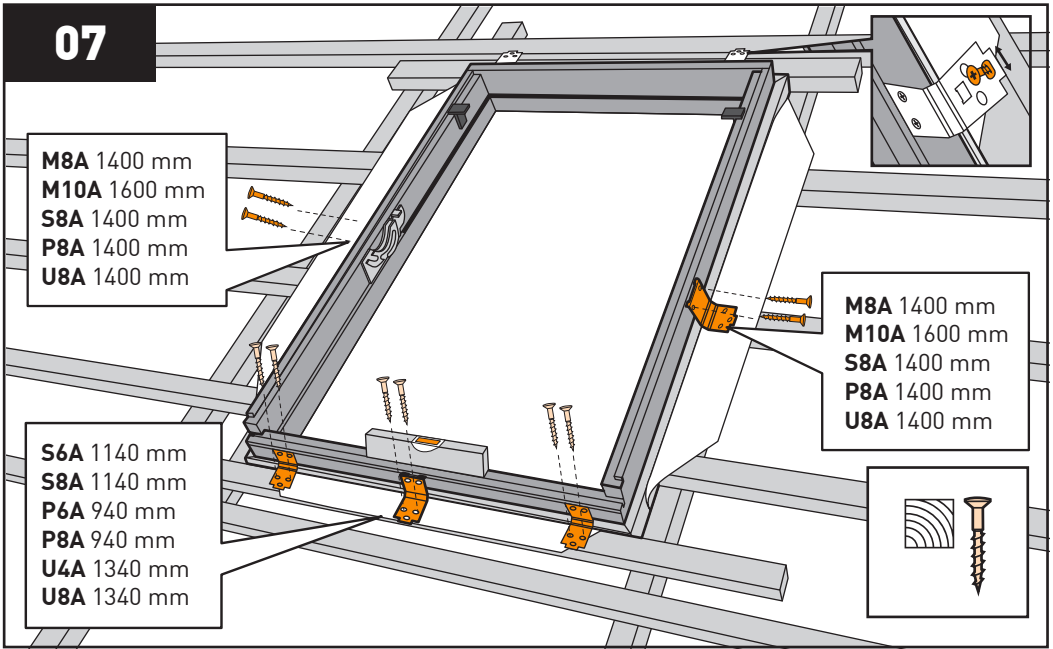


**07**

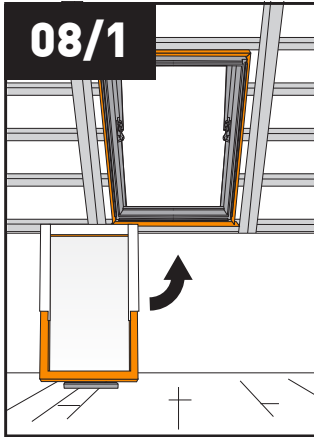
**M8A** 1400 mm  
**M10A** 1600 mm  
**S8A** 1400 mm  
**P8A** 1400 mm  
**U8A** 1400 mm

**S6A** 1140 mm  
**S8A** 1140 mm  
**P6A** 940 mm  
**P8A** 940 mm  
**U4A** 1340 mm  
**U8A** 1340 mm

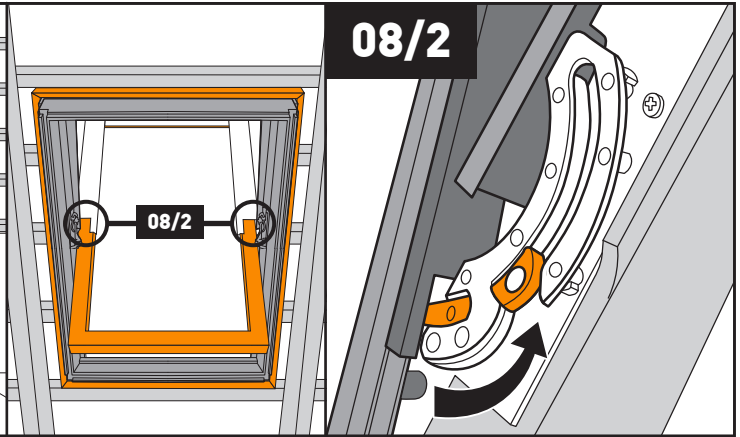
**M8A** 1400 mm  
**M10A** 1600 mm  
**S8A** 1400 mm  
**P8A** 1400 mm  
**U8A** 1400 mm



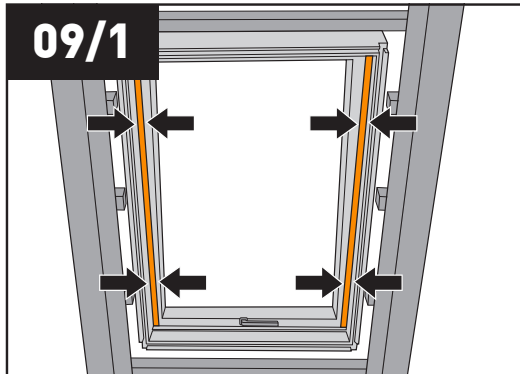
**08/1**



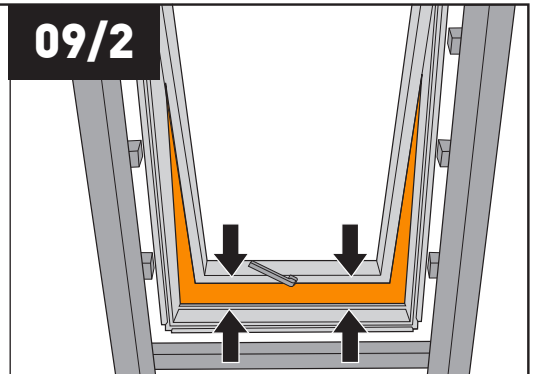
**08/2**



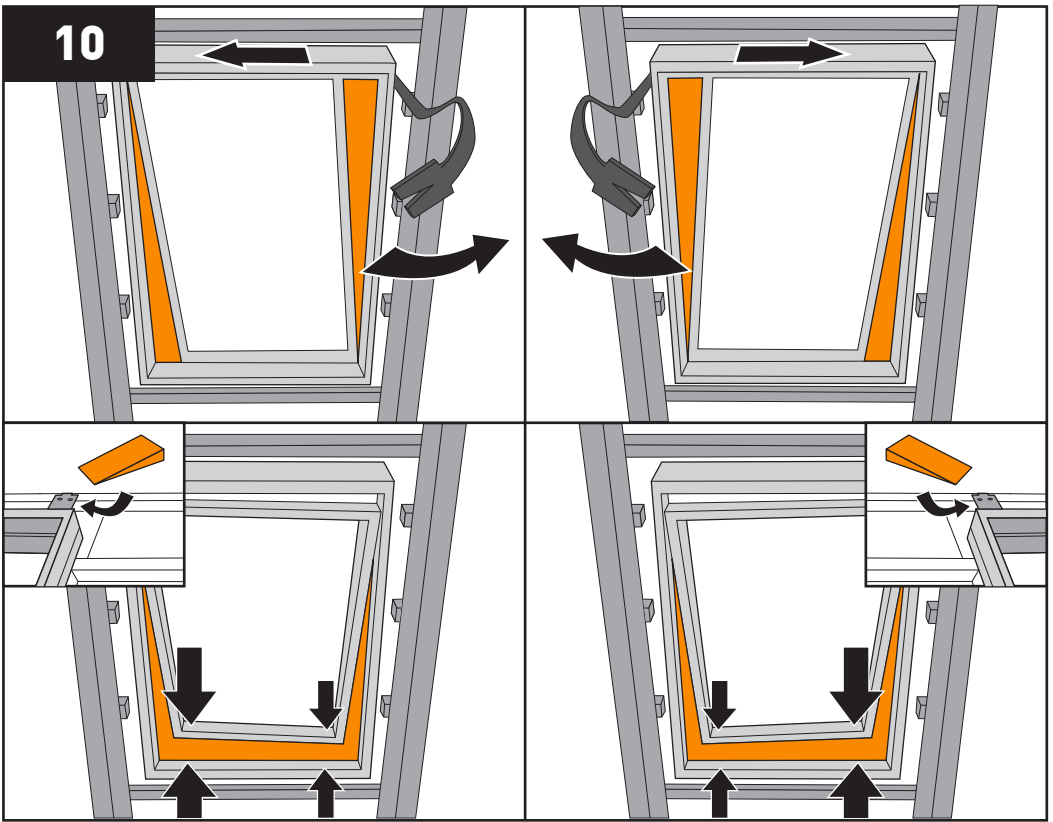
**09/1**



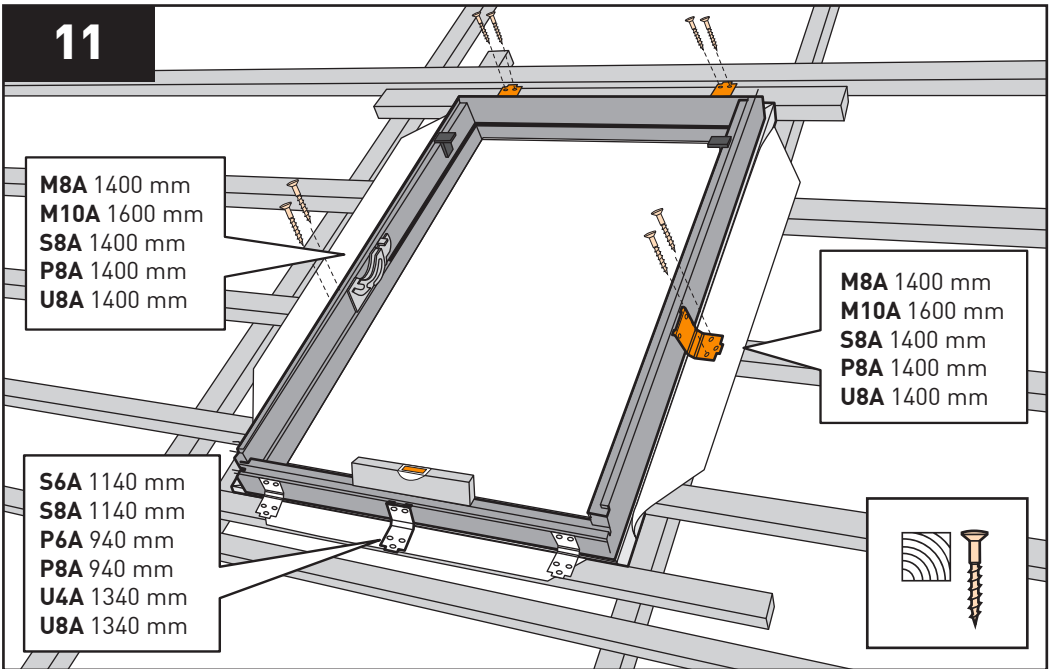
**09/2**



10

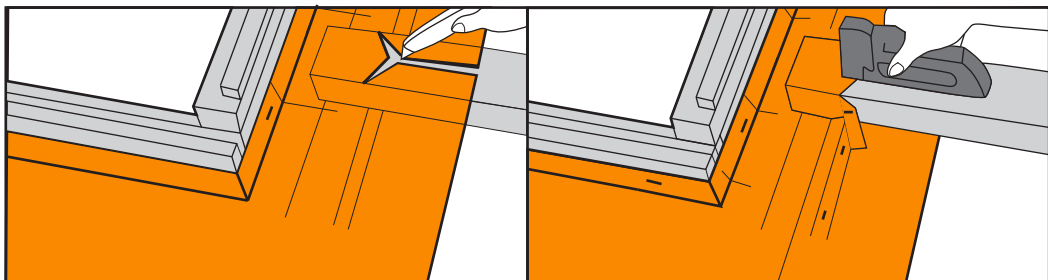
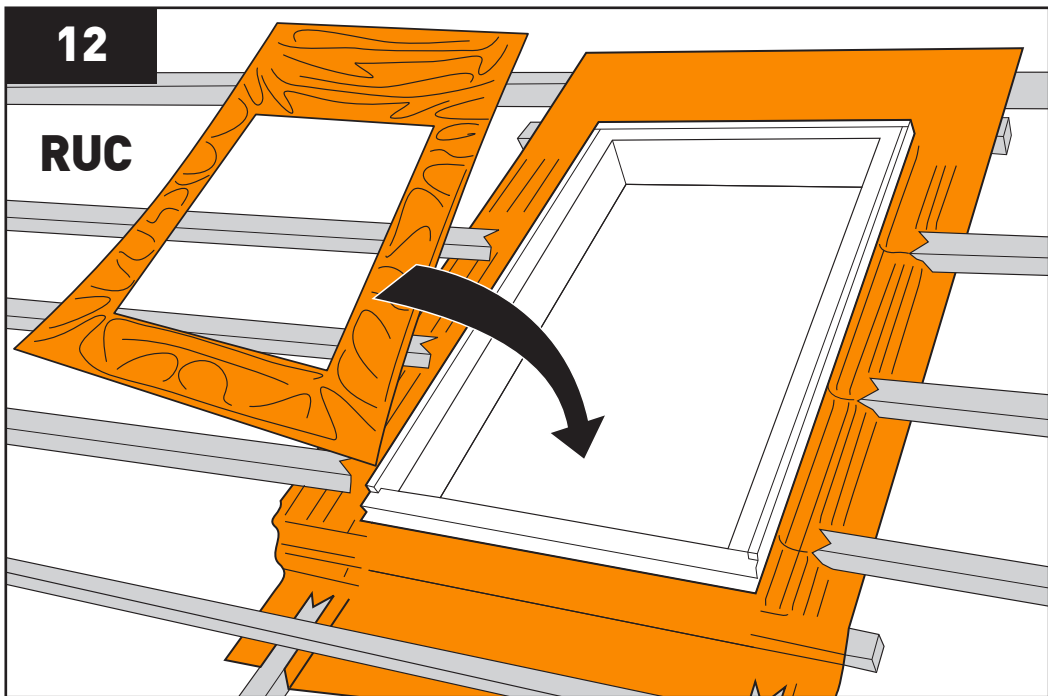


11

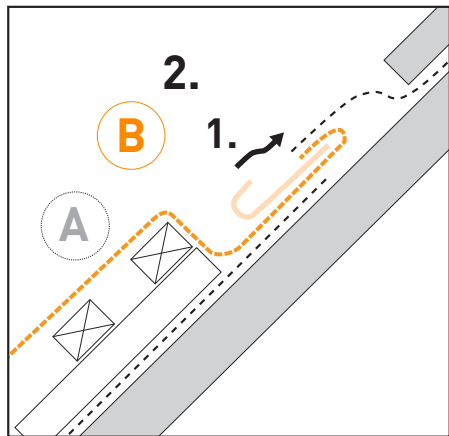
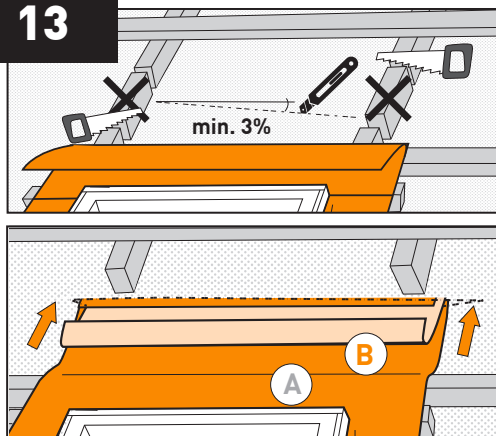


12

RUC

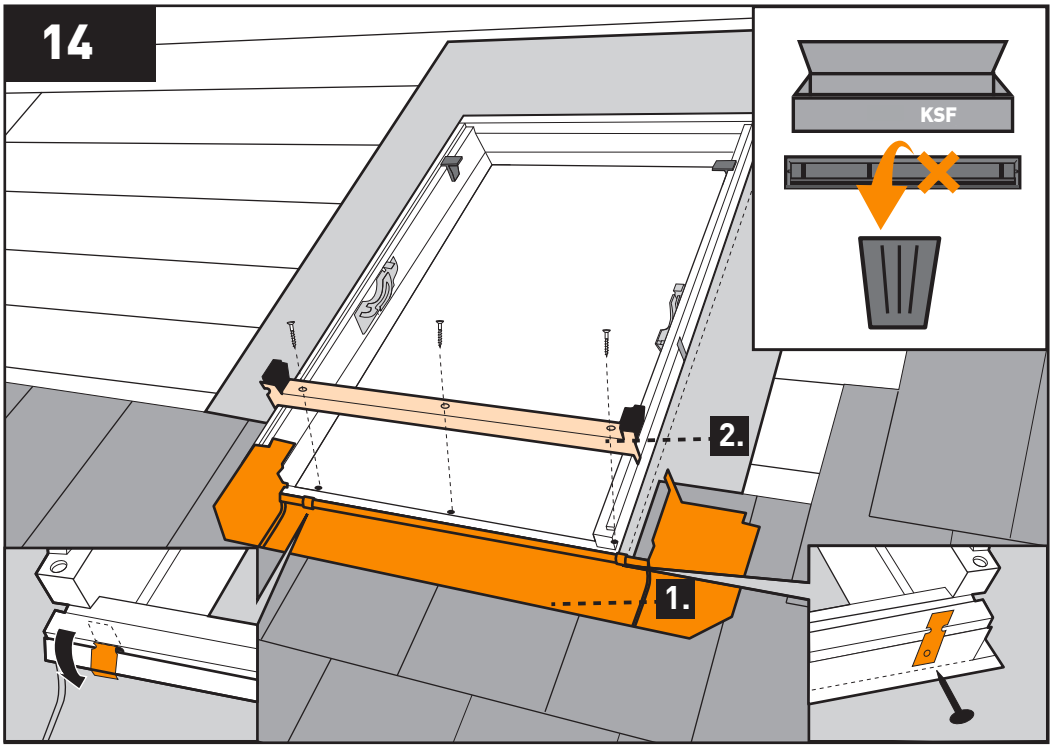


13



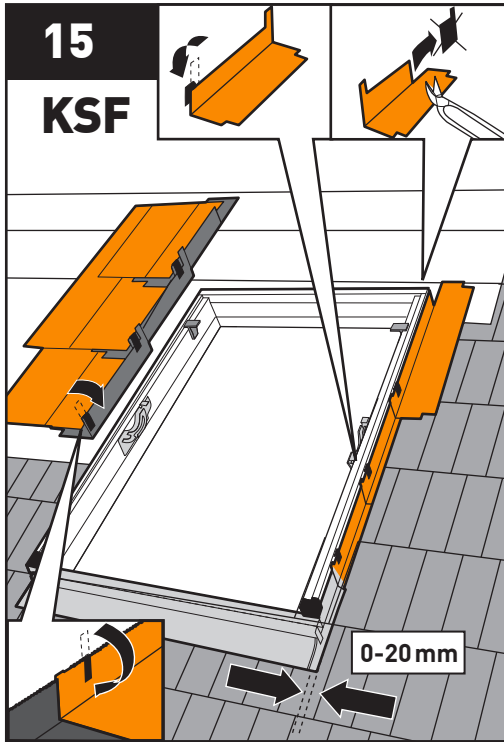


14

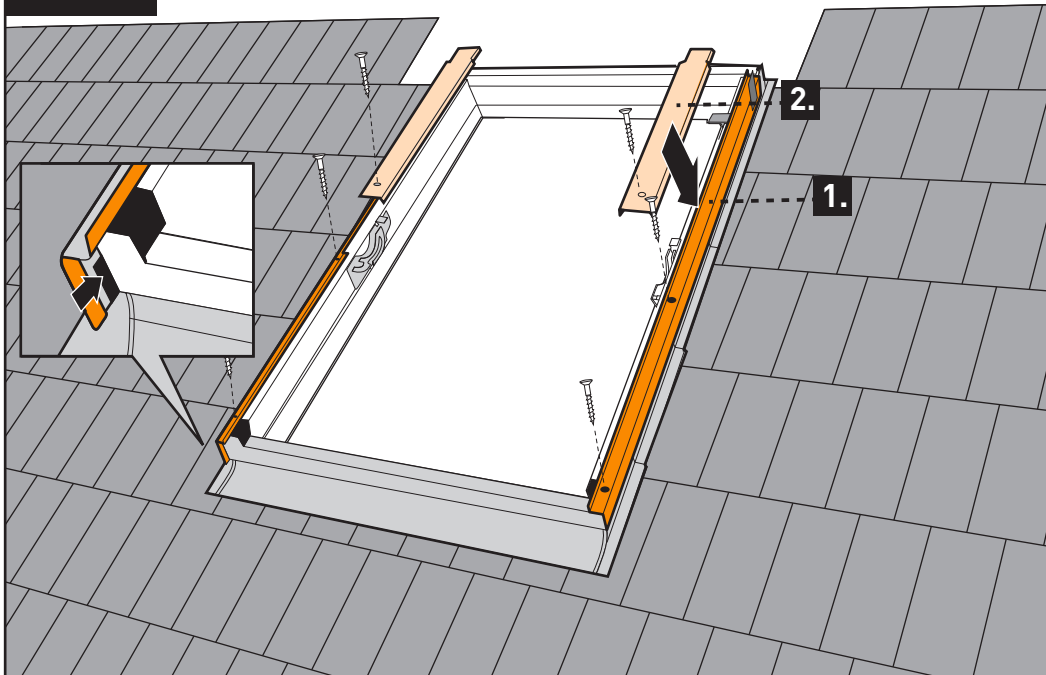


15

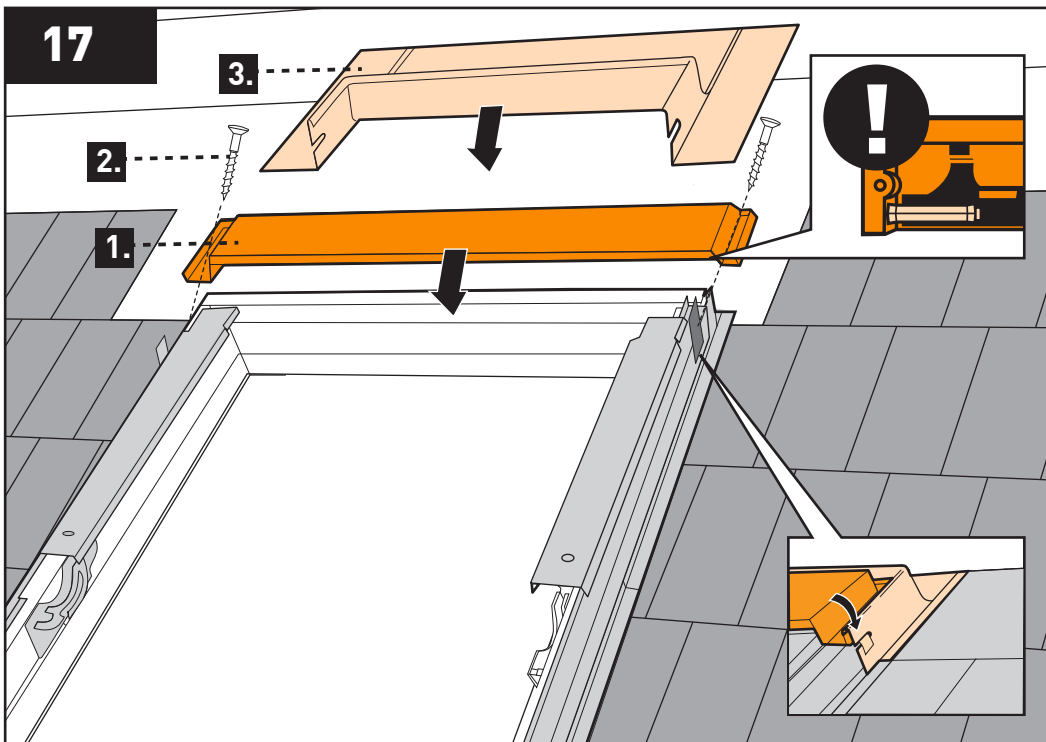
KSF



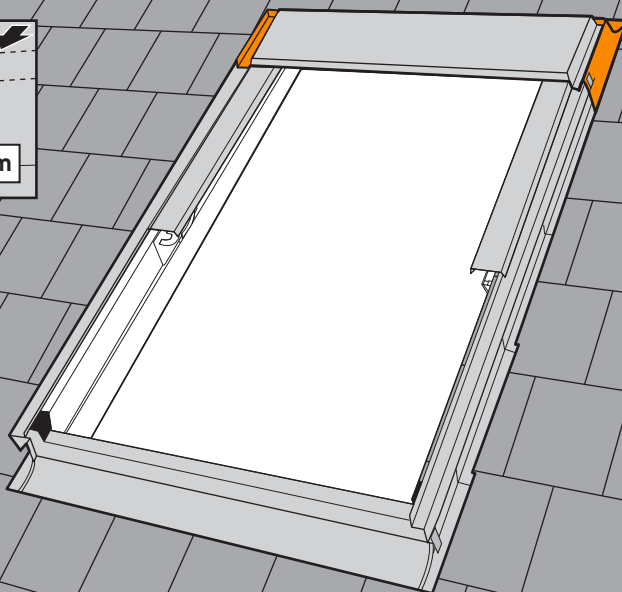
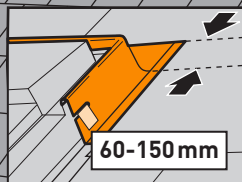
16



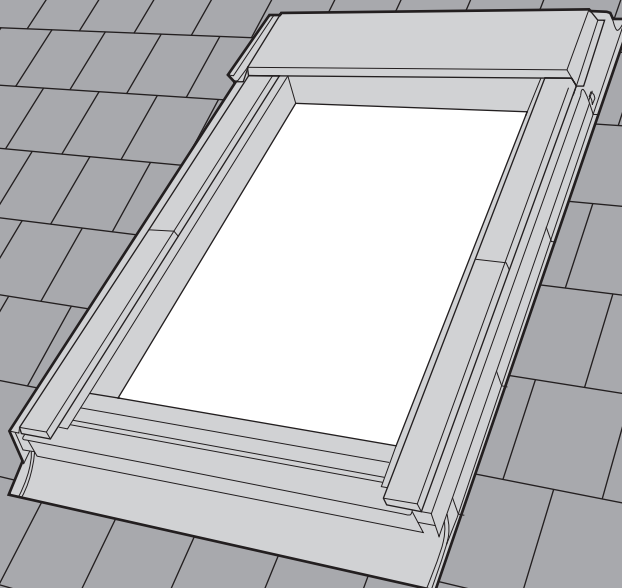
17



18



19



DUA



RHA



PAA



MIA



SSR



**FCX** 15-90°

**KFF** 20-90°

**KFP** 25-90°

**KFT** 15-90°

**KLS** 15-90°

**KSF** 15-90°

**KSS** 15\*-90°

**KTF** 15-90°

**KUF** 15-90°

**SCX** 15-90°

**SSC** 15\*-90°

**UBX** 15-90°

**UCX** 15-90°